

# MINIATURE SURFACE MOUNT SWITCH SET



## 1100 SERIES

- ◆ One Inch Plus Standard Gap
- ◆ Surface Mount Magnetic Contact For Residential and Light Commercial Applications
- ◆ Screw Mount ◆ 12" #22AWG Leads
- ◆ Longer Leads, Zip Cord or Jacketed Cable Upon Request
- ◆ Hermetically Sealed ◆ Plated Contacts Resist Sticking or Freezing
- ◆ Attractive Covers, Spacers, Double Stick Tape and Mounting Hardware Included
- ◆ Built-in E.O.L. Resistors and Diodes Upon Request
- ◆ Supervisory Loops Upon Request ◆ Switches & Magnets Available Separately
- ◆ Private Labeling Upon Request ◆ Colors: White, Brown, Gray
- ◆ Lifetime Warranty



<b>PART NUMBERS:</b>	<b>Closed Loop</b>	<b>Open Loop</b>	<b>SPDT</b>
Standard Gap 1" +	1100A	1100B	1100C
Wide Gap 1 1/2" +	1100A-WG	1100B-WG	1100C-WG

GEORGE RISK INDUSTRIES, INC.  
GR.I. PLAZA  
KIMBALL, NE 69145



MADE IN U.S.A.

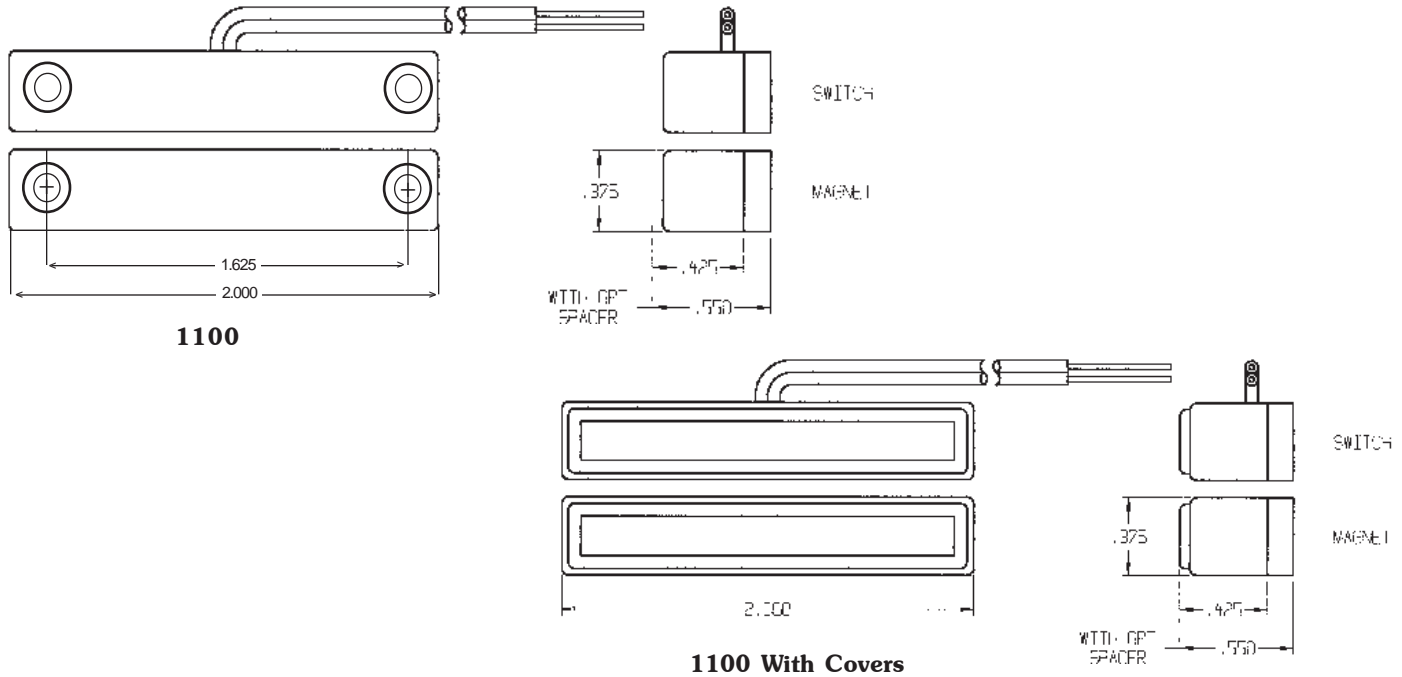
TOLL-FREE 1-800-445-5218  
TOLL-FREE 1-800-523-1227  
(308) 235-4645  
FAX (308) 235-3561  
E-MAIL: [grisales@megavision.com](mailto:grisales@megavision.com)  
WEB SITE: [www.grisk.com](http://www.grisk.com)



# MINIATURE SURFACE MOUNT SWITCH SET

## INSTALLATION APPLICATIONS:

G.R.I.'s 1100 series offers the installer convenience and versatility with its smaller size and attractive design allowing it to be used in both residential or commercial applications. With its standard gap of over 1" and a wide gap of 1 1/2" +, the 1100 gives even more options for usage. Packaged with covers, spacers and applicable mounting hardware.



## GRI products meet or exceed these minimum general specifications:

PART NUMBER	LOOP TYPE	ELECTRICAL CONFIG.	REED FORM	MAXIMUM INITIAL CONTACT RESISTANCE (Ω)	MAXIMUM CONTACT RATING (W)	MAXIMUM SWITCHING VOLTAGE (VDC)	MAXIMUM SWITCHING CURRENT (A)
1100A	Closed	N/O	A	.150	10	200	.500
1100AWG	Closed	N/O	A	.150	10	200	.500
1100B	Open	N/C	B	.140	5	175VDC	.250
1100BWG	Open	N/C	B	.140	5	175VDC	.250
1100C	Open/Closed	SPDT	C	.140	5	175VDC	.250
1100CWG	Open/Closed	SPDT	C	.140	5	175VDC	.250

## WARRANTY:

Lifetime warranty against workmanship, material and factory defects.

## CONTACT YOUR G.R.I. DISTRIBUTOR OR CALL:

GEORGERISK INDUSTRIES, INC.  
GRI PLAZA  
KIMBALL, NE 69145



MADE IN U.S.A.

TOLL-FREE 1-800-445-5218  
TOLL-FREE 1-800-523-1227  
(308) 235-4645  
FAX (308) 235-3561  
E-MAIL: [grisales@megavision.com](mailto:grisales@megavision.com)  
WEB SITE: [www.grisk.com](http://www.grisk.com)