

PBS6 SERIES



EASY INSTALLATION
STAINLESS STEEL
6" SQUARE

Innovation
Quality
Service

A larger solution of the square push plate, this 6" plate is more visible, easier to use, and doesn't distract from the architecture.

- Greater surface area of the push plate makes this push plate easy to use
- Beveled edges provide a tamper and vandal resistant solution
- Universal touch area at any "push" location
- Stainless steel finish is scratch/ scuff resistant and will not deteriorate or rust
- Text and logo are baked onto the surface for maximum durability
- Available in multiple styles to meet specifications and customer requests

WWW.BEASENSORS.COM

A HALMA COMPANY

BEA
OPEN UP NEW HORIZONS

TECHNICAL SPECS

- A. 16 gauge, 304 2B Stainless Steel Faceplate
- B. 1/8" thick, Aluminum Back Plate
- C. Stainless Steel 6-32 x 1" and 8-32 x 1" Allen head mounting screws
- D. Cherry Switch: Single-pole, 15A, COM / NO / NC contacts

PBS6 SERIES FAMILY OF PRODUCTS



10PBS6 - Text only



10PBS610 - Plain Face



10PBS61 - Text and Logo



10PBS6LL - Logo only

MOUNTING FEATURES



The mounting boxes for the 6" square push plates are built with a placeholder for the wireless transmitter's 9 Volt battery.

PBS6 SERIES MOUNTING OPTIONS

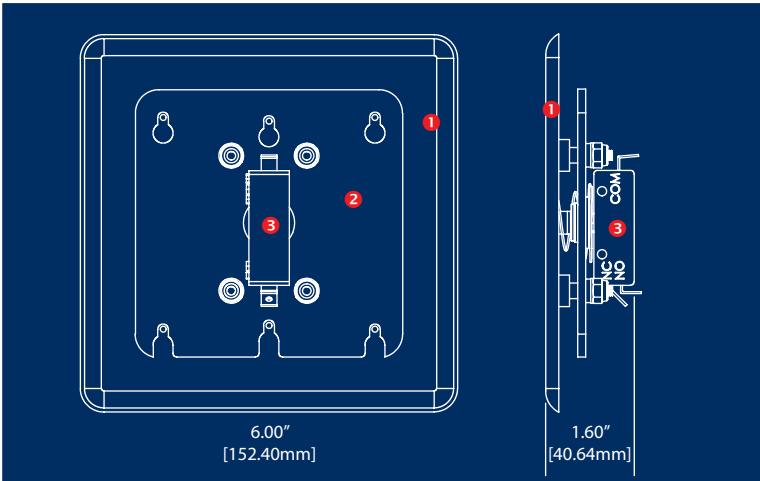


10BOX6SQ5M - Surface Mount Box



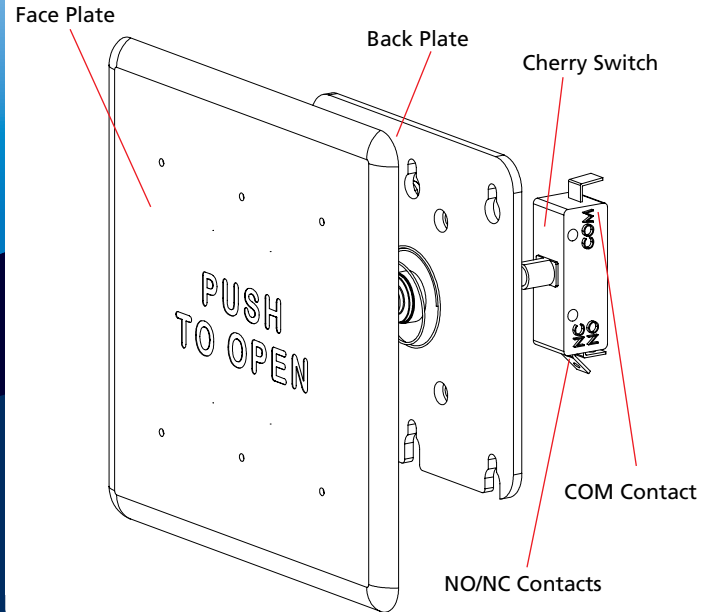
10BOX6SQFM - Flush Mount Box

COMPONENTS



- 1 Front Plate
- 2 Back Plate
- 3 Cherry Switch

PBS6 SERIES DETAILS



RELATED PRODUCTS



MS08U
Touchless Push Plate utilizing microwave motion technology



RF-433
433 MHz digital receivers and transmitters with sequencing function



Low Profile Plates
36" x 6" x 1" High-Low and 4 1/2" x 4 1/2" x 1/4" thin



Round Push Plates
Any 4.5", 6" or Panther Style



Square Push Plates
Any 4.5", 4.75", 6" or Panther Style

BEA Inc.
RIDC Park West
100 Enterprise Drive
Pittsburgh, PA 15275-1213

PHONE: 1 800.523.2462
FAX: 1 888.523.2462

BEA West
Arrow Highway Corporate Center
190 E. Arrow Hwy, Suite A
San Dimas, CA 91773-3314

PHONE: 1 800.523.2462
FAX: 1 888.523.2462

BEA Latin America
Mexico / Caribbean
190 E. Arrow Hwy, Suite A
San Dimas, CA 91773-3314

PHONE: 1 800.711.1398
FAX: 1 888.523.2462

