

4³/₄" PUSH PLATE

PBS SERIES



PREMIUM PUSH PLATE FOR KNOWING ACT APPLICATIONS

DESCRIPTION

The **PBS SERIES** is a standard 4³/₄" square push plate with a highly durable design and embossed graphics. The PBS Series push plate is a stainless steel, aesthetically pleasing and weather resistant actuator.

Easy Installation



EN

Product Family – PBS Series



10PBS1
Push To Open
Text and Logo



10PBS
Push To Open
Text Only



10PBS10
Plain Stainless
Steel Face Plate



10PBSLL
Large Handicap
Logo Only



10PBSE
Push To Exit
Text Only



10PBS1B
Blue Finish
Text and Logo

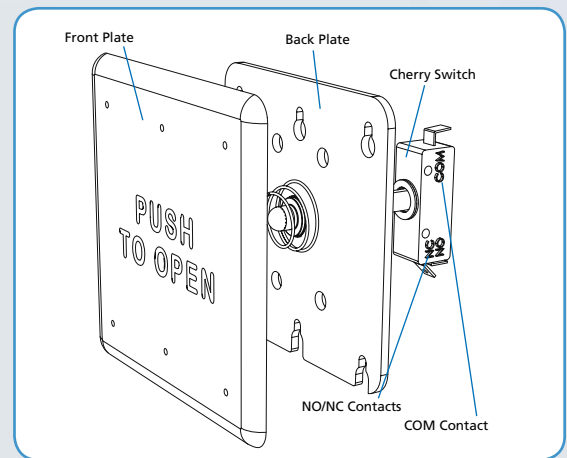


10PBS1SB
Satin Brass Finish
Text and Logo



10PBS1BB
Mirror Brass Finish
Text and Logo

Components View



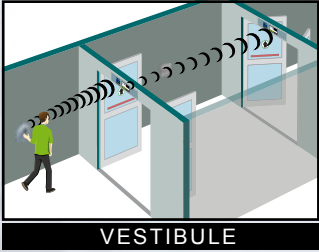
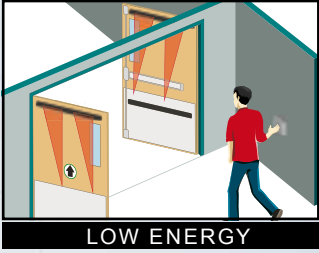
FEATURES

- The push plate's surface area is optimal for bollard and wall mount applications while not detracting from the surrounding architecture
- Beveled edges provide a tamper / vandal resistant solution
- Activation across the entire surface area of the push plate
- Stainless steel finish is resistant to scratches & scuffing as well as rust
- Text and logo are abrasive etched onto the surface for maximum durability
- Available in multiple styles to meet specifications and customer requests
- A standard weather boot protects the cherry switch from harsh environments

BEA

OPEN UP NEW HORIZONS

APPLICATIONS



RELATED PRODUCTS

BENEFITS

- Grade 304 stainless steel maximizes corrosion resistance and reduces rusting
- Stainless steel materials are 100% recyclable and environmentally friendly
- Available in hard wired and wireless options (RF 433, 390 or 300 MHz)

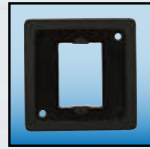
MOUNTING ACCESSORIES



10BOX475SQSM
Surface Mount



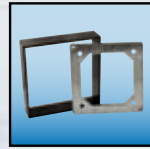
10BOX475SQFM
Flush Mount



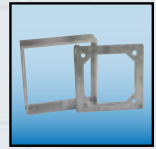
10WRSQ475
4 3/4 inch
Weather Ring



10BOXDG4H
4 x 4 inch
Surface Mount

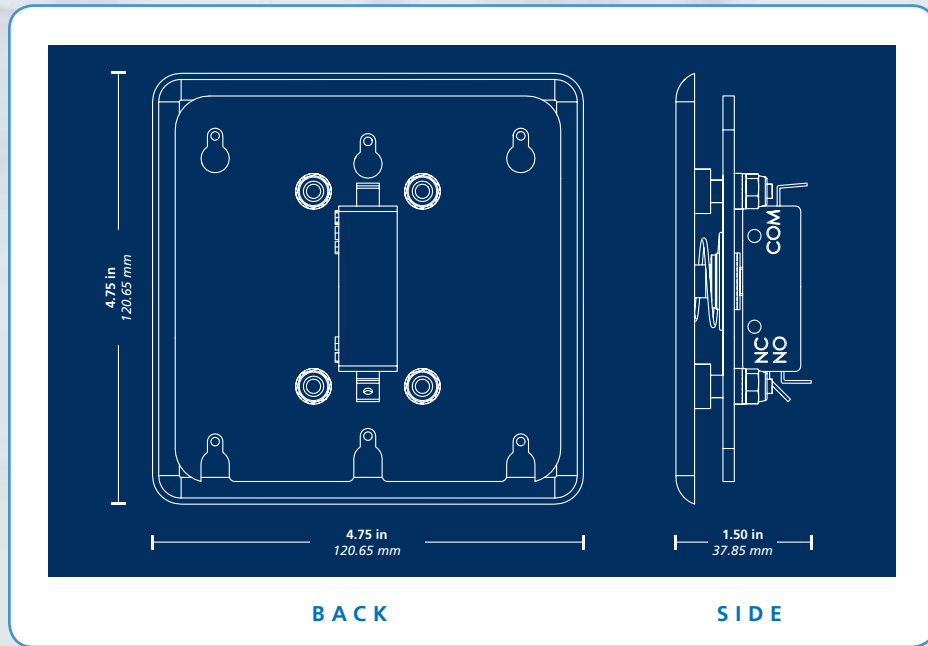


10PBBRACKET
Surface
Mount Kit



10PBBRACKETCA
Clear Anodized
Surface Mount

DIMENSION DETAILS



TECHNICAL SPECIFICATIONS

Materials	Faceplate: 16 gauge, 304 2B Stainless Steel
	Backplate: 1/8 inch thick, Aluminum
Cherry Switch	Mounting Screws: Stainless Steel, 6-32 x 1 in & 8-32 x 1 in
	Allen Head Size: 5/64
Compatible Wireless Frequencies	Single-pole, 15 A, COM/NO/NC
	433, 390 or 300 MHz

Specifications are subject to change without prior notice.

DISCLAIMER This document as well as all other enclosed documents (quotation / specification / other) are provided "as is" without warranties of any kind, either expressed or implied, including but not limited to the implied warranties of merchantability, fitness for a particular purpose, or non-infringement. / Information is supplied upon the condition that the persons receiving it will make their own determination as to its suitability for their purposes prior to use. In no event will BEA be responsible for damages of any nature whatsoever resulting from the use of or reliance upon information from this document or the products to which the information refers. / BEA has the right without liability to change descriptions and specifications at any time. / Prices, shipping and availability are subject to change without prior notice.



WWW.BEASENSORS.COM

3/4" PUSH PLATE PBS SERIES

79.0031.04

20130724

A HALMA COMPANY

BEA Inc.
RIDC Park West
100 Enterprise Drive
Pittsburgh, PA 15275-1213

PHONE: 1 800.523.2462
FAX: 1 888.523.2462

Members of:

