

# THE BOLLARD

LOW ENERGY DOOR ELECTRONICS



EASY INSTALLATION  
MULTIPLE APPLICATIONS  
VERY DURABLE

**Quality**  
**Intelligence**  
**Precision**

Constructed with durable carbon steel and will mount BEA's 4 3/4" square and 4 1/2" round push plate lines

- Can be mounted on either existing concrete or newly poured concrete
- Available in silver, bronze, and black
- Stainless steel mounting bracket
- UV Resistant ABS plastic cap allowing for wireless transmissions

[WWW.BEASENSORS.COM](http://WWW.BEASENSORS.COM)

A HALMA COMPANY

**BEA**  
OPEN UP NEW HORIZONS

## TECHNICAL SPECS

### Dimensions

(with cap attached)  
41 1/2" H x 6 1/4" W x 4 1/4" D

### Material

Post  
Powder-Coated  
Carbon Steel  
(Inside and Out)

### Cap

UV-Resistant ABS Plastic

### Mounting Bracket

Stainless Steel

### Pushplate Options

4 1/2" Square Push plate  
4 3/4" Square Push plate  
4 3/4" Square Panther Push plate  
Dual Vestibule Push plate  
4 1/2" Round Push plate  
Low Profile Push plates

### Weight

35 lbs (16 kilos)

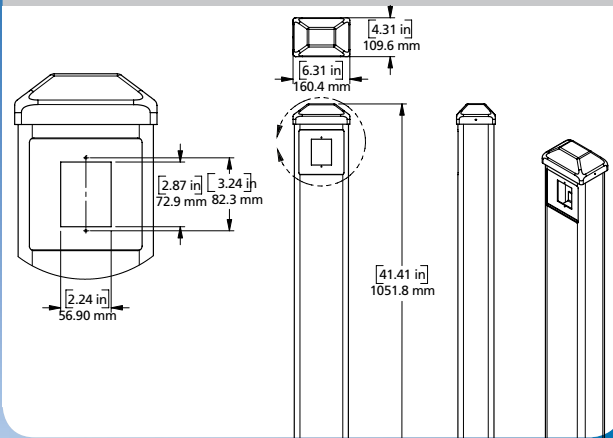
### Colors

Black, Bronze, Silver

### Mounting Hardware

Screws, Expansion  
Anchors, Washers  
and Nuts (Included)

## DRAWINGS



## FAMILY OF PRODUCTS



The Bollard is used for mounting pushplates that activate automatic doors. It will accept BEA's 4 1/2" Square Pushplate, 4 3/4" Square Pushplate, 4 3/4" Panther Pushplate, Dual Vestibule Pushplate and 4 1/2" Round Pushplate. The post is made of durable carbon steel and the mounting bracket is made of stainless steel for strength. It can be mounted on either existing concrete or newly poured concrete.

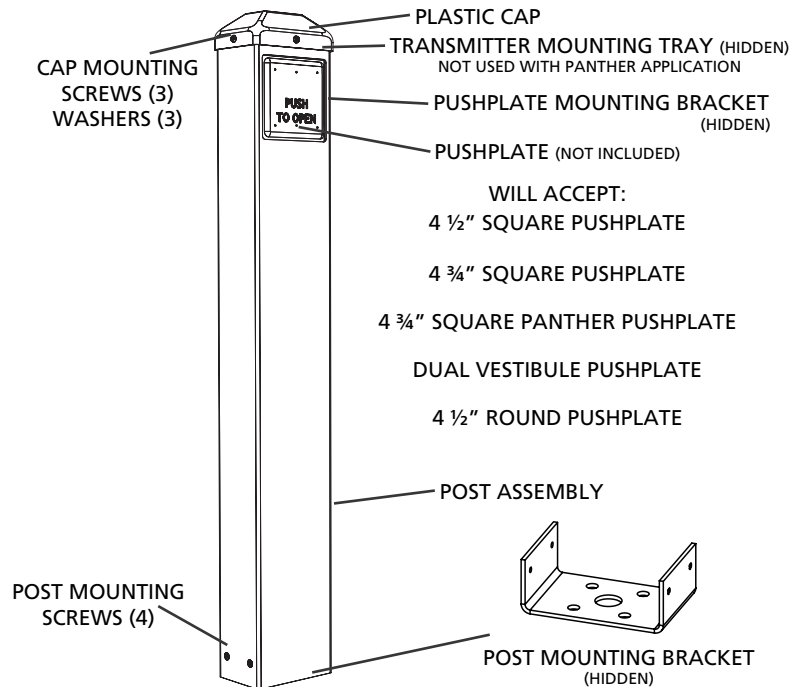
10BOLLARDBLK - Black  
10BOLLARDBRZ - Bronze  
10BOLLARDSLIV - Silver

## EXAMPLE APPLICATION



## LOW ENERGY DOORS

## PRODUCT DETAILS



## RELATED PRODUCTS



**MS08U**  
Touchless Push Plate  
utilizing microwave  
motion technology



**RF-433**  
433 MHz digital  
receivers and  
transmitters with  
sequencing function



**Low Profile Plates**  
36" x 6" x 1" High-Low  
and 4 1/2" x 4 1/2" x 1/4" thin



**Round Push Plates**  
Any 4.5" or  
Panther Style



**Square Push Plates**  
Any 4.5", 4.75" or  
Panther Style

BEA Inc.  
RIDC Park West  
100 Enterprise Drive  
Pittsburgh, PA 15275-1213

PHONE: 1 800.523.2462  
FAX: 1 888.523.2462

BEA West  
Arrow Highway Corporate Center  
190 E. Arrow Hwy, Suite A  
San Dimas, CA 91773-3314

PHONE: 1 800.523.2462  
FAX: 1 888.523.2462

BEA Latin America  
Mexico / Caribbean  
190 E. Arrow Hwy, Suite A  
San Dimas, CA 91773-3314

PHONE: 1 800.711.1398  
FAX: 1 888.523.2462



OPEN UP NEW HORIZONS