



931202-00

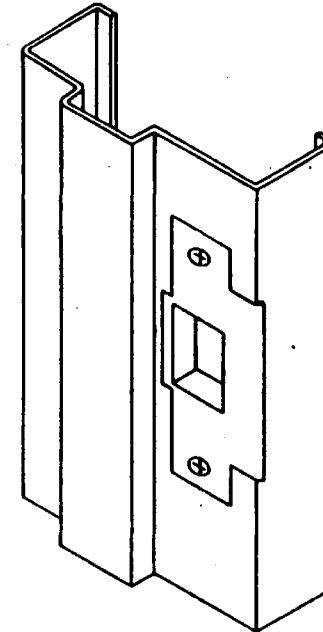
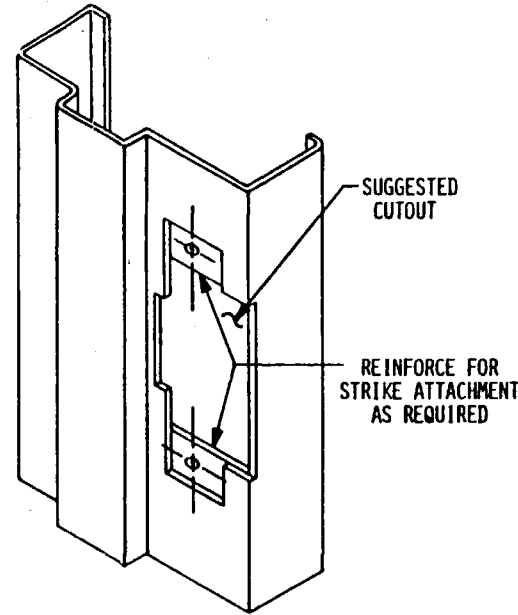
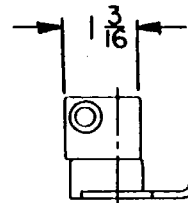
Monitor Strike for Cylindrical Lock

4570

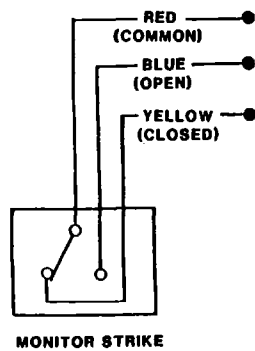
VON DUPRIN®

Installation Instructions

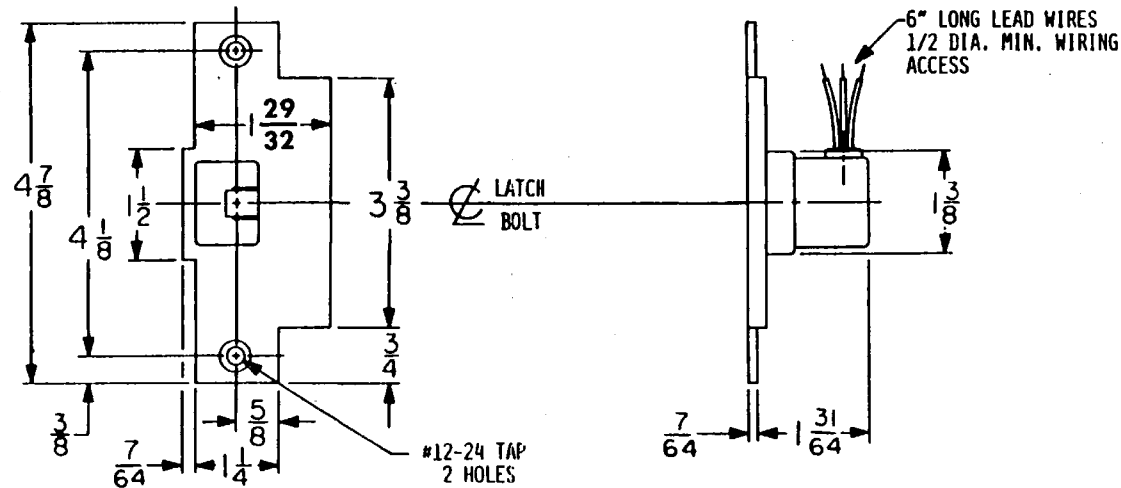
1. FOR LOCK OR DEVICE PREPARATION SEE DIRECTIONS THAT ACCOMPANY THEM.
2. PREPARE FRAME FOR MONITOR STRIKE AS SHOWN.
3. WIRING AND INSTALLATION OF STRIKE
  - A. CONNECT WIRES FROM STRIKE TO LEAD. (SEE WIRING DIAGRAM)
  - B. SECURE STRIKE TO FRAME USING THE (2) #12-24 SCREWS IN THE MOUNTING HARDWARE PACKAGE.
4. CHECK OPERATION OF MONITOR STRIKE.



**WIRING DIAGRAM**



NOTE: SWITCH POSITION SHOWN WITH TRIPPER DEPRESSED, IE: LATCH BOLT IN STRIKE.



APPLICATION	SCHEDULE
CORBIN	5/8 CYLIND.
RUSSWIN	5/8 CYLIND.
SCHLAGE	1/2 CYLIND.
SCHLAGE	5/8 CYLIND.
ARROW	1/2 CYLIND.
DEXTER	7/16 CYLIND.
YALE	1/2 CYLIND.
LOCKWOOD	1/2 CYLIND.
FALCON	1/2 CYLIND.
SARGENT	1/2 CYLIND.

FOR CUTOUTS ON INSIDE FACE OF DOOR SEE DIRECTIONS IN DEVICE CARTON.

**Customer Service**  
1-877-671-7011    [www.allegion.com/us](http://www.allegion.com/us)



© Allegion 2014  
Printed in U.S.A.  
931202-00 Rev. 01/14-b