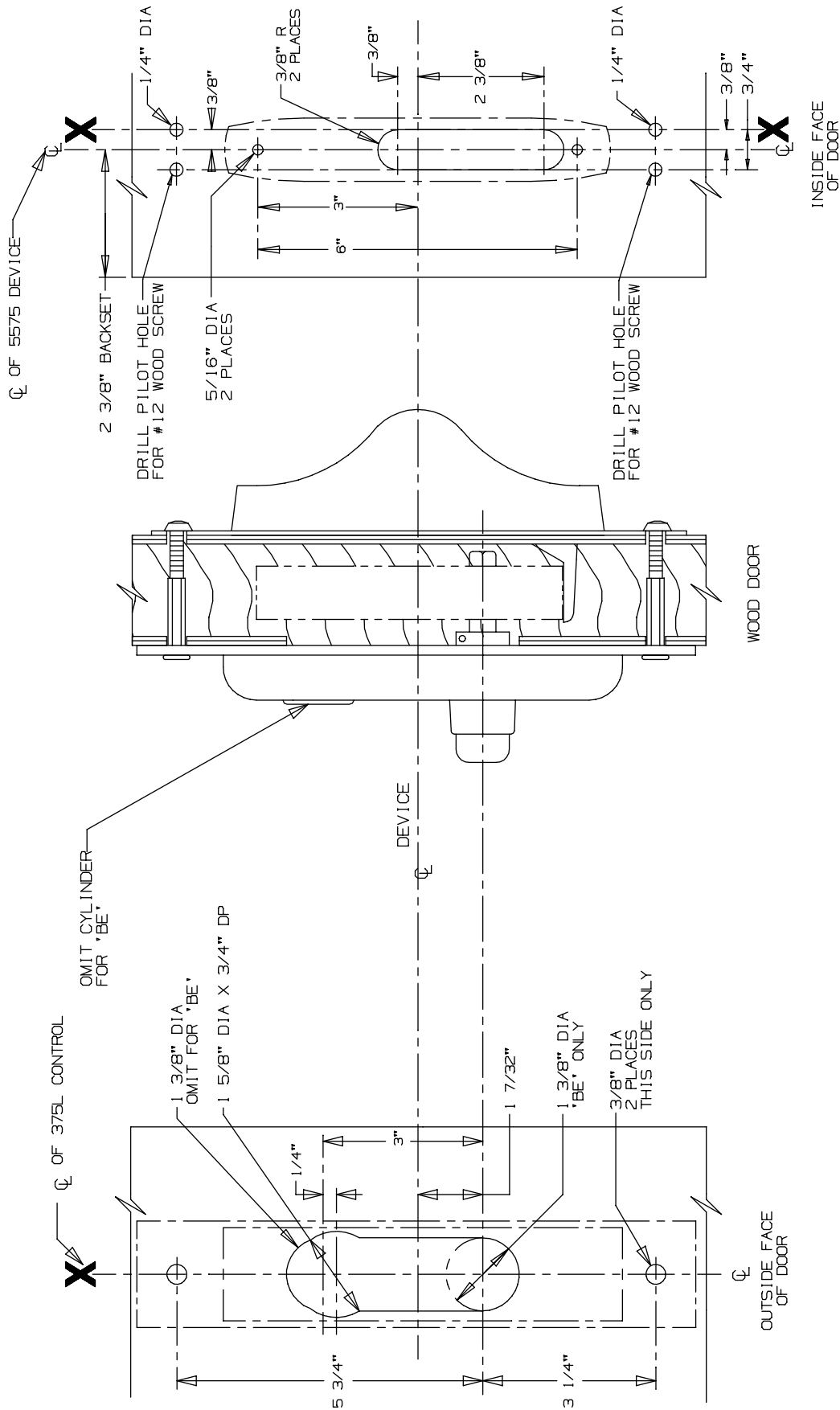


FOR INSTALLATION OF DEVICE/LOCK SEE DIRECTION 11068



LHR SHOWN
RHR OPPOSITE

375-L & 375-L-BE Control for
5575 & 5575-F WDC

VON DUPRIN[®]

NOTES: SEE MASTER SHEET #10001 FOR SUGGESTED REINFORCING

TEMPLATE NUMBER:

W40127_a

DATE:
05-29-13