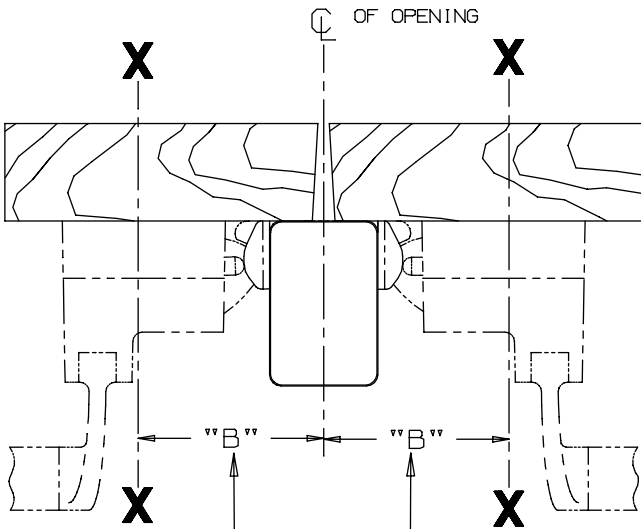
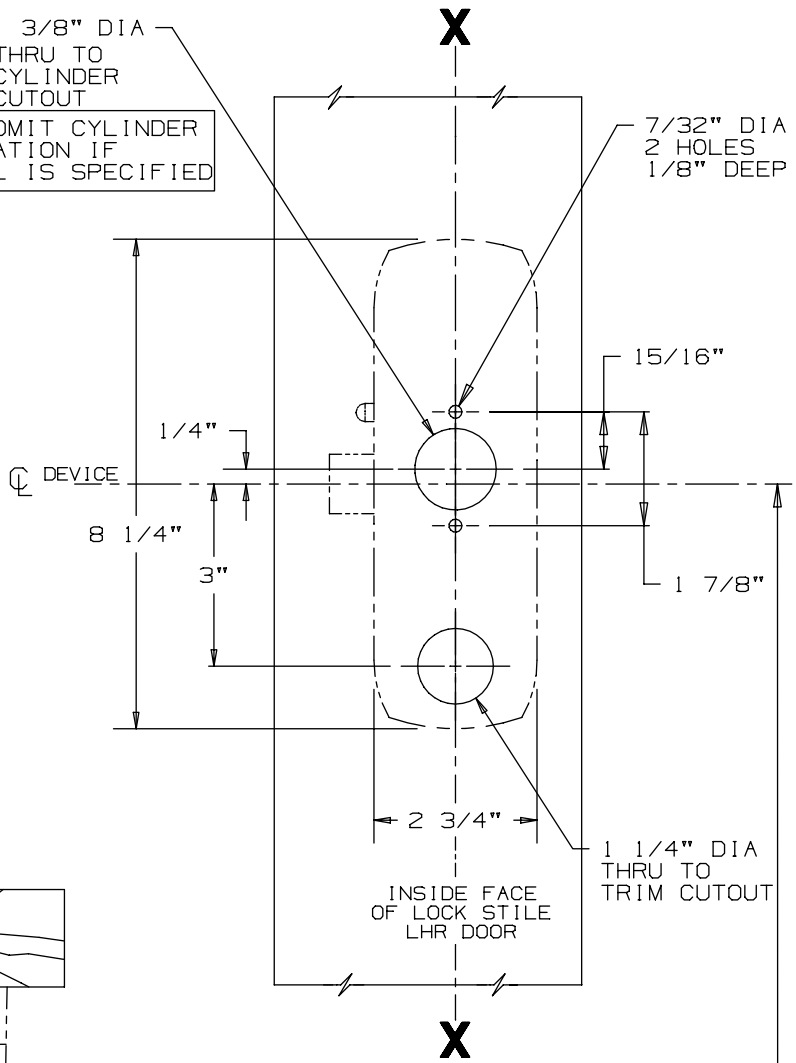


1 3/8" DIA
THRU TO
CYLINDER
CUTOUT

NOTE: OMIT CYLINDER
PREPARATION IF
CONTROL IS SPECIFIED

SINGLE DOOR INSTALLATION		
STRIKE	DIMENSION "B"	MIN. STILE
268	2 3/8"	4 3/8"



DOUBLE DOOR INSTALLATION WITH VON DUPRIN MULLIONS			
MULLION	STRIKE	DIMENSION "B"	MIN. STILE
9954	268	3 3/8"	4 11/16"

SINGLE DOOR OPENING
39 13/16" TO FINISHED FLOOR

DOUBLE DOOR OPENING
WITH VON DUPRIN MULLION
39 11/16" TO FINISHED FLOOR

①

CROSSBAR 36 13/16" FROM FINISHED FLOOR

LHR SHOWN
RHR OPPOSITE

FOR OUTSIDE TRIM PREPARATION, WHEN REQUIRED,
SEE ADDITIONAL TRIM TEMPLATE.

NOTE: MOUNTING HOLES TO BE PREPARED
AT INSTALLATION ON DOOR.

88K-F Series Rim Device
(Wood Door)

VON DUPRIN®

NOTES: SEE MASTER SHEET #10001 FOR SUGGESTED REINFORCING

TEMPLATE
NUMBER:

W10172_a

DATE:
05-29-13