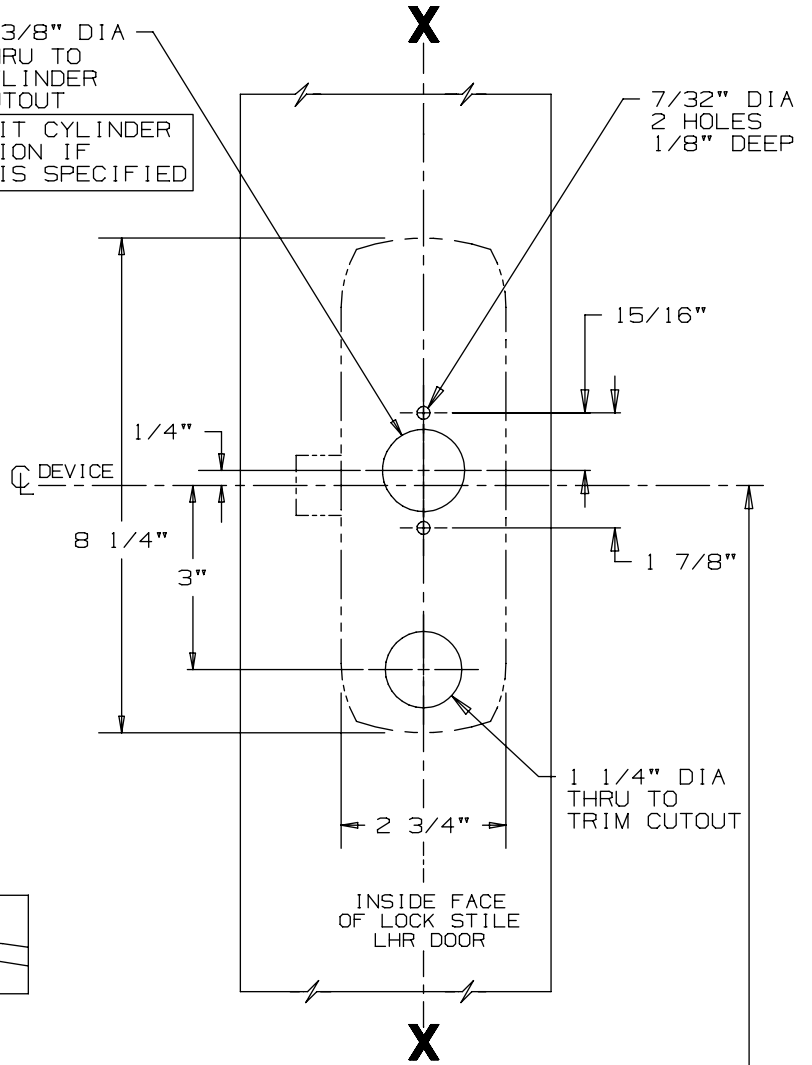
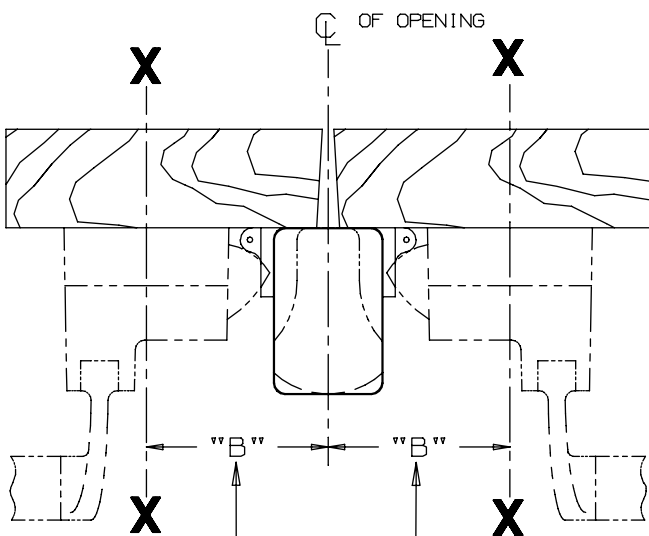


1 3/8" DIA THRU TO CYLINDER CUTOUT  
 NOTE: OMIT CYLINDER PREPARATION IF CONTROL IS SPECIFIED



SINGLE DOOR INSTALLATION		
STRIKE	DIMENSION "B"	MIN. STILE
299	2 3/8"	4 3/8"
264	2 1/8"	4 1/8"
1606	1 15/16"	3 15/16"



SINGLE DOOR OPENING  
 39 13/16" TO FINISHED FLOOR

DOUBLE DOOR OPENING  
 WITH VON DUPRIN MULLION  
 39 11/16" TO FINISHED FLOOR

CROSSBAR 36 13/16" FROM FINISHED FLOOR

DOUBLE DOOR INSTALLATION WITH VON DUPRIN MULLIONS			
MULLION	STRIKE	DIMENSION "B"	MIN. STILE
① 5654	299	2 15/16"	4 1/4"
① 5654	264	2 11/16"	4"
4954	299	3 3/8"	4 11/16"
4954	264	3 1/8"	4 7/16"
1654	1606	2 15/16"	4 1/4"

LHR SHOWN  
 RHR OPPOSITE

FOR OUTSIDE TRIM PREPARATION, WHEN REQUIRED, SEE ADDITIONAL TRIM TEMPLATE.

NOTE: MOUNTING HOLES TO BE PREPARED AT INSTALLATION ON DOOR.

## 88K Series Rim Device (Wood Door)

# VON DUPRIN®

NOTES: SEE MASTER SHEET #10001 FOR SUGGESTED REINFORCING

TEMPLATE NUMBER:

W10158\_a

DATE:  
 12-27-13