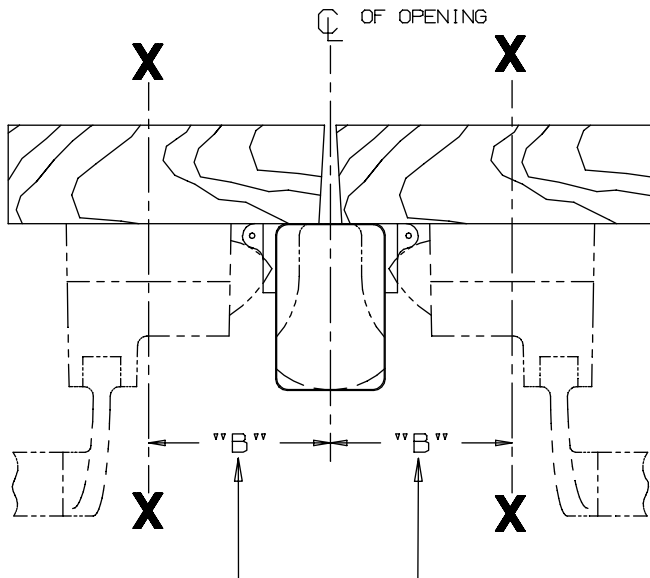
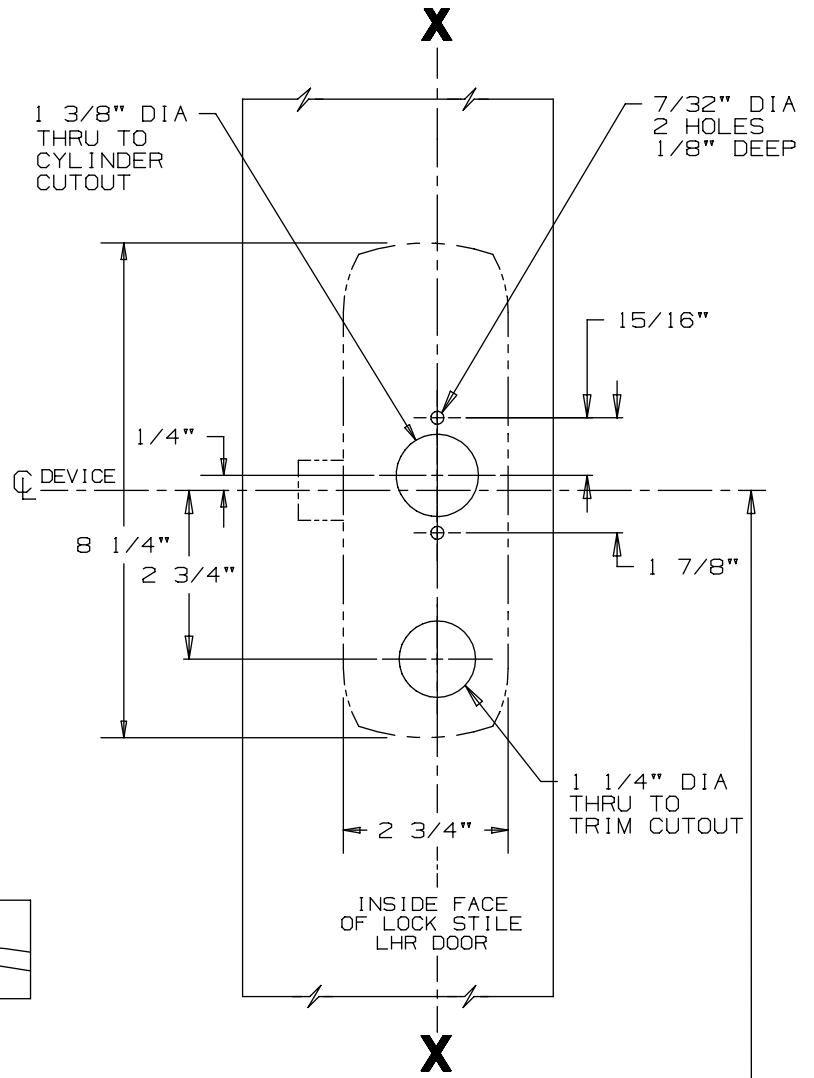


SINGLE DOOR INSTALLATION		
STRIKE	DIMENSION "B"	MIN. STILE
299	2 1/2"	4 3/8"
264	2 1/4"	4 1/8"
1606	2 1/16"	3 15/16"



DOUBLE DOOR INSTALLATION WITH VON DUPRIN MULLIONS			
MULLION	STRIKE	DIMENSION "B"	MIN. STILE
① 5654	299	3 1/16"	4 1/4"
① 5654	264	2 13/16"	4"
4954	299	3 1/2"	4 11/16"
4954	264	3 1/4"	4 7/16"
1654	1606	3 1/16"	4 1/4"

FOR OUTSIDE TRIM PREPARATION, WHEN REQUIRED, SEE ADDITIONAL TRIM TEMPLATE.

SINGLE DOOR OPENING  
39 13/16" TO FINISHED FLOOR

DOUBLE DOOR OPENING  
WITH VON DUPRIN MULLION  
39 11/16" TO FINISHED FLOOR

CROSSBAR 36 13/16" FROM FINISHED FLOOR

LHR SHOWN  
RHR OPPOSITE

NOTE: MOUNTING HOLES TO BE PREPARED AT INSTALLATION ON DOOR.

## 88TP Series Rim Device (Wood Door)

# VON DUPRIN®

NOTES: SEE MASTER SHEET #10001 FOR SUGGESTED REINFORCING

TEMPLATE  
NUMBER:

W10157\_a

DATE:  
05-29-13