



# 4582

# VON DUPRIN®

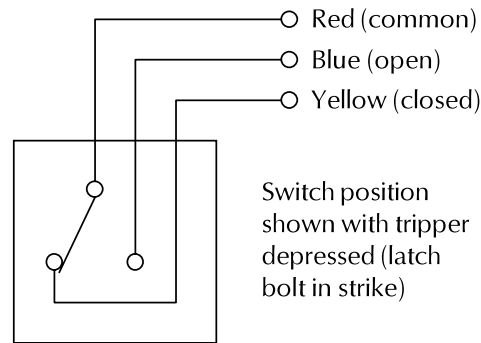
**931213-00**

Monitor Strike for Mortise Locks with Auxiliary Bolt Below Latch bolt. See other side for Mortise Locks with Auxiliary Bolt Above Latch Bolt

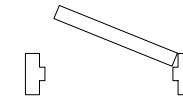
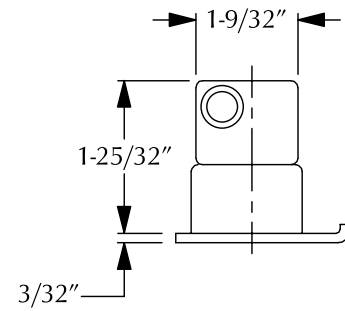
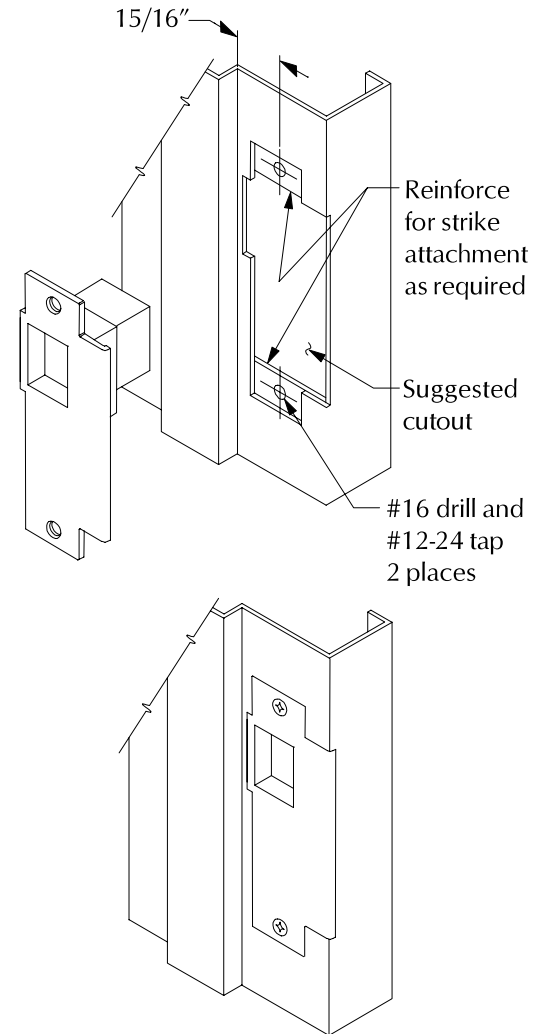
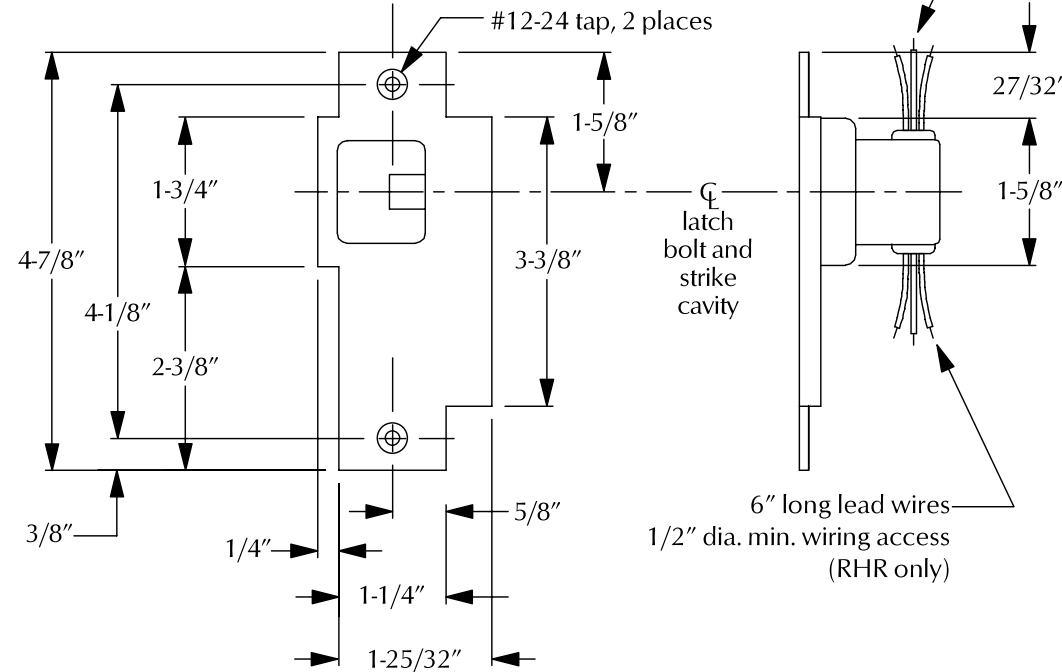
Installation Instructions

1. Prepare door for exit device per exit device instructions.
2. Prepare door for lock per lock instructions.
3. Prepare frame for monitor strike as shown.
4. Connect wires from strike to lead.
5. Install mortise lock.
6. Secure strike to frame using the two #12-24 screws in the mounting hardware package.
7. Check operation of strike.

### Wiring Diagram



Lock Application Schedule		
Manufacturer	Model	Throw
Corbin Russwin	ML2000 (T-2 tripper)	3/4"
Sargent	7800/8200 (T-2 tripper)	3/4"
Von Duprin	7500 (T-1 tripper)	3/4"

**LHR shown  
RHR opposite**

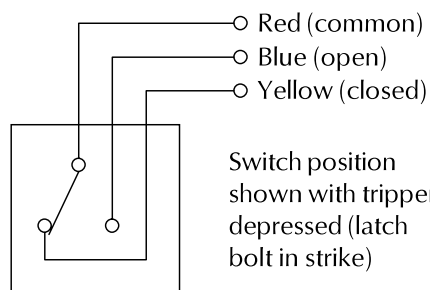
**Customer Service**  
1-877-671-7011 [www.allegion.com/us](http://www.allegion.com/us)



© Allegion 2014  
Printed in U.S.A.  
931213-00 Rev. 01/14-b

1. Prepare door for exit device per exit device instructions.
2. Prepare door for lock per lock instructions.
3. Prepare frame for monitor strike as shown.
4. Connect wires from strike to lead.
5. Install mortise lock.
6. Secure strike to frame using the two #12-24 screws in the mounting hardware package.
7. Check operation of strike.

### Wiring Diagram



Lock Application Schedule, T-2 Tripper		
Manufacturer	Model	Throw
Baldwin	6000	5/8"
Best	24H/25H/34H/35H	3/4"
Corbin	9500	3/4"
Russwin	5000	3/4"
Sargent	900	3/4"
Sargent	7700/8100	3/4"
Schlage	L9000	3/4"

