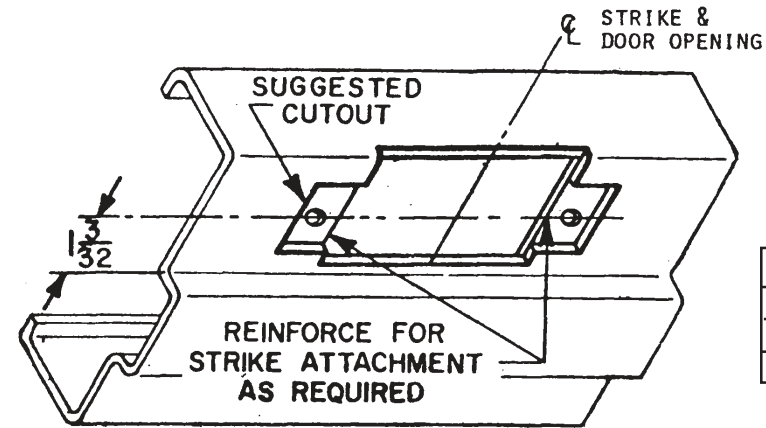


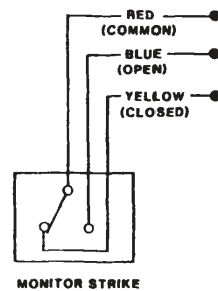
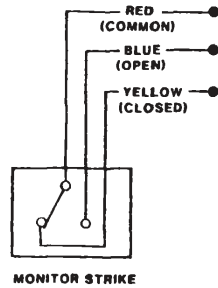
INSTALLATION INSTRUCTIONS

1. FOR DEVICE PREPARATION SEE DIRECTIONS THAT ACCOMPANY THEM.
2. PREPARE FRAME FOR MONITOR STRIKE AS SHOWN.
3. WIRING AND INSTALLATION OF STRIKE
 - A. CONNECT WIRES FROM STRIKE TO LEAD. (SEE WIRING DIAGRAM)
 - B. SECURE STRIKE TO FRAME USING THE (2) #12-24 SCREWS IN THE MOUNTING HARDWARE PACKAGE.
4. CHECK OPERATION OF MONITOR STRIKE.

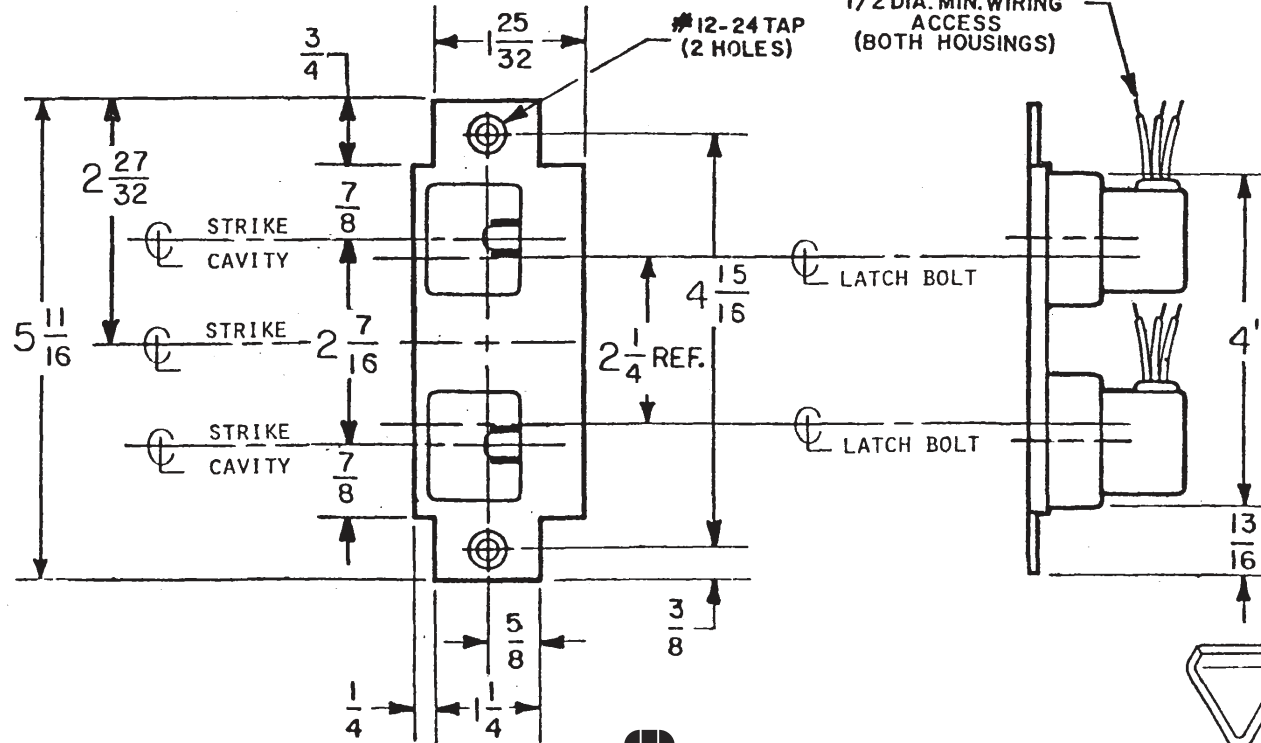


APPLICATION SCHEDULE	
APPLICATION	MIN. STILE
33/3547	1-3/4"
33/3547A	2"

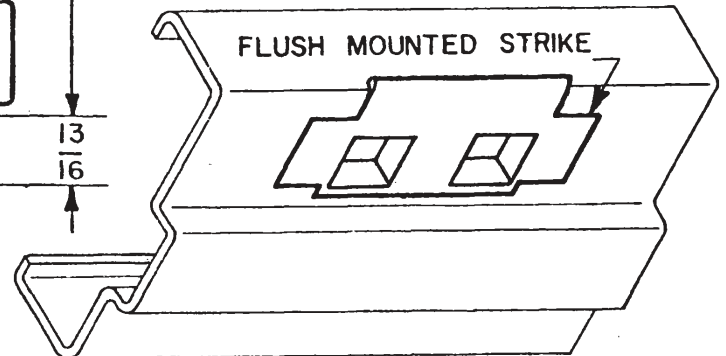
WIRING DIAGRAM



NOTE: SWITCH POSITION SHOWN WITH TRIPPER DEPRESSED, IE: LATCH BOLT IN STRIKE.



NOTE: FOR 1-1/16" LATCH CASE BACKSET ONLY



Customer Service
1-877-671-7011 www.allegion.com/us

ALLEGION
© Allegion 2015
Printed in U.S.A.
931206-00 Rev. 06/15-b

DESCRIPTION:
4690-1 MONITOR STRIKE

VON DUPRIN
DIRECTION NUMBER: **931206-00** DATE: **6-25-15**