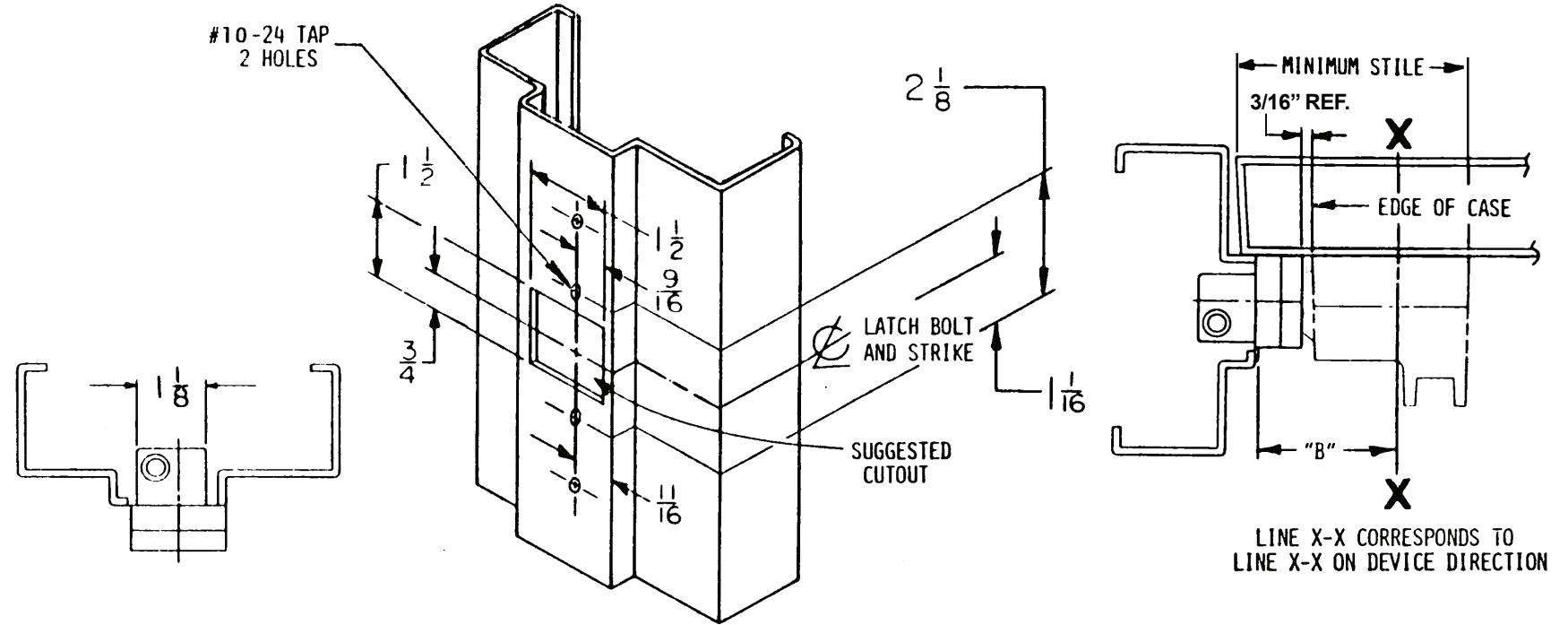
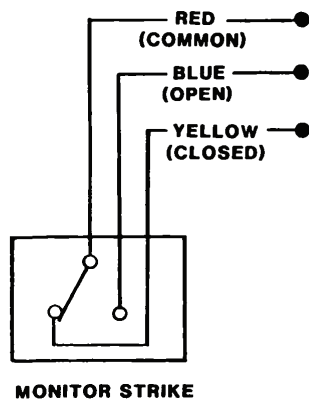


# INSTALLATION INSTRUCTIONS

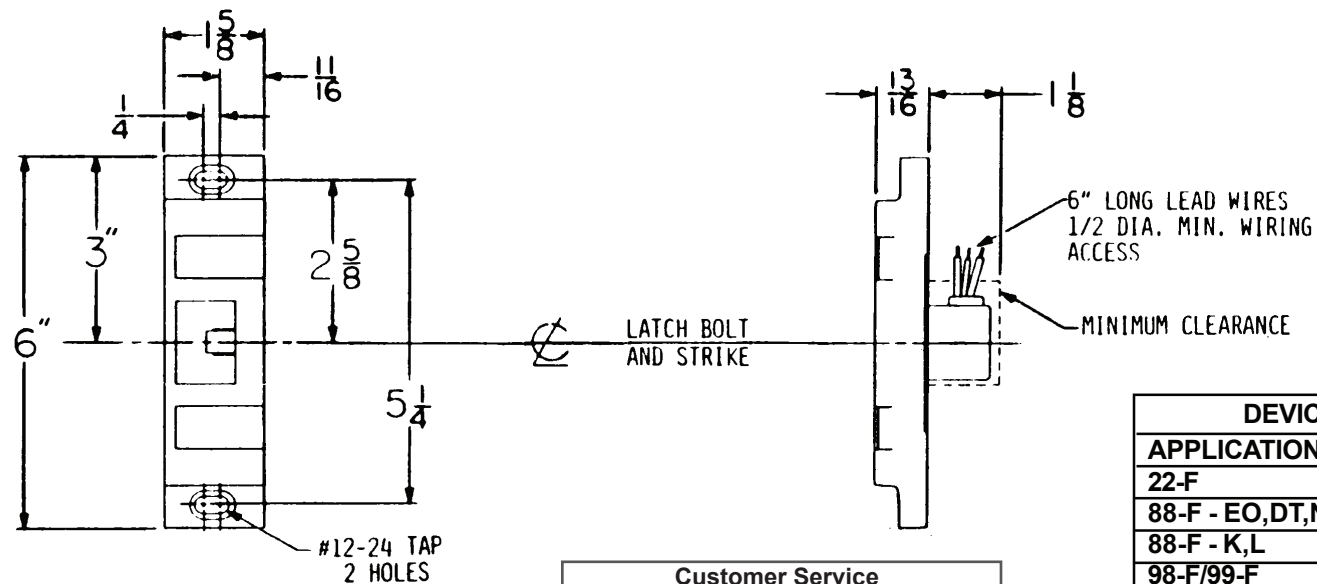
1. FOR DEVICE PREPARATION SEE DIRECTIONS THAT ACCOMPANY THEM.
2. PREPARE FRAME FOR MONITOR STRIKE AS SHOWN.
3. WIRING AND INSTALLATION OF STRIKE
  - A. SECURE SPACER PLATE TO FRAME USING THE (2) #10-24 x 3/8 SCREWS IN THE MOUNTING HARDWARE PACKAGE.
  - B. CONNECT WIRES FROM STRIKE TO LEAD. (SEE WIRING DIAGRAM).
  - C. SECURE STRIKE TO FRAME USING THE (2) #12-24 SCREWS IN THE MOUNTING HARDWARE PACKAGE.
4. CHECK OPERATION OF MONITOR STRIKE.



## WIRING DIAGRAM



NOTE: SWITCH POSITION SHOWN WITH TRIPPER DEPRESSED, IE: LATCH BOLT IN STRIKE.



LHR SHOWN  
RHR OPPOSITE

DEVICE APPLICATION SCHEDULE		
APPLICATION	DIM "B"	MIN. STILE
22-F	2-7/16"	4-1/2"
88-F - EO,DT,NL, & TP	2-1/2"	4-3/8"
88-F - K,L	2-3/8"	4-3/8"
98-F/99-F	2-7/16"	4-1/2"
33A/35A	1-15/32"	2-15/16"

Customer Service  
1-877-671-7011 www.allegion.com/us

FOR CUTOUTS ON INSIDE FACE OF DOOR  
SEE DIRECTIONS IN DEVICE CARTON.

**ALLEGION**  
© Allegion 2015  
Printed in U.S.A.  
931201-00 Rev. 06/15-b

DESCRIPTION:  
**4268 MONITOR STRIKE**

**VON DUPRIN**  
DIRECTION NUMBER: **931201-00** DATE: **6-25-15**