



911375-00

98/9927

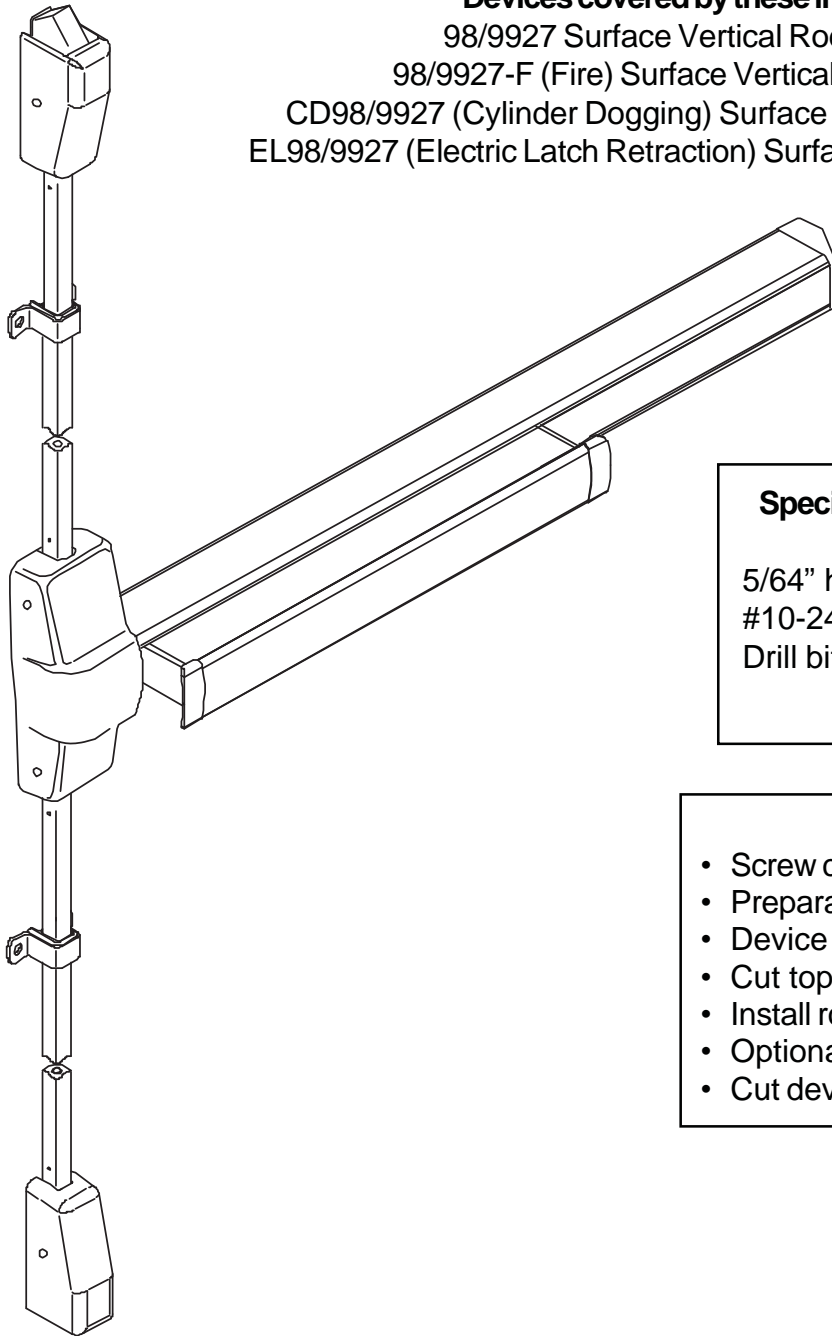
VON DUPRIN®

Surface Vertical Rod Exit Device

Installation Instructions



Devices covered by these instructions:
 98/9927 Surface Vertical Rod Exit Device
 98/9927-F (Fire) Surface Vertical Rod Exit Device
 CD98/9927 (Cylinder Dogging) Surface Vertical Rod Exit Device
 EL98/9927 (Electric Latch Retraction) Surface Vertical Rod Exit Device



Special tools needed:

- 5/64" hex wrench
- #10-24 tap
- Drill bits: #25, 1/8", 1/4",
5/16", 13/32"

Index:

- Screw chart 2
- Preparation chart 3
- Device installation 4-6
- Cut top rod 7
- Install rod extension 7
- Optional equipment 8
- Cut device 8



Customer Service

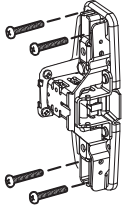
1-877-671-7011

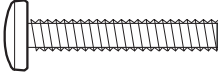
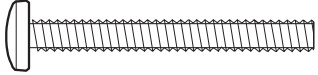
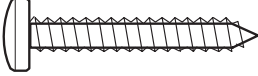
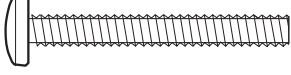
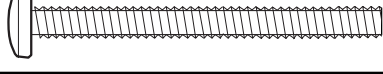
www.allegion.com

© Allegion 2014
Printed in U.S.A.
911375-00 Rev. 01/14-c

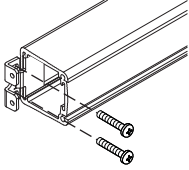
SCREW CHART

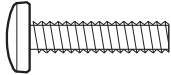
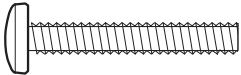
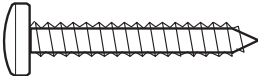
A



	#10-24 X 1"	Surface mount or Sex bolts (1-3/4" door)
	#10-24 X 1-1/2"	Sex bolts (2-1/4" door)
	#10 x 1-1/4" Wood screw	Surface mount (wood)
- Packaged with trim -		
	#10-24 X 1-3/8"	990 trims (1-3/4" door)
	#10-24 X 1-7/8"	990 trims (2-1/4" door)

B



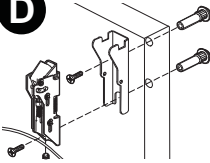
	#10-24 X 3/4"	Surface mount or Sex bolts (1-3/4" door)
	#10-24 X 1-1/8"	Sex bolts 2-1/4" door
	#10 x 1-1/4" Wood screw	Surface mount (wood)

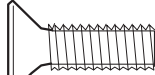

C



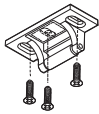
	#10-16 x 3/8" Thread cutting	Endcap
--	------------------------------	--------


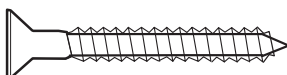
D



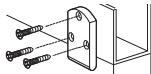
	1/4-20 X 3/4"	1-3/4" door
	1/4-20 X 1-1/4"	2-1/4" door

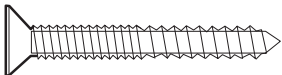
E



	#10-24 X 3/4"	Metal frame
	#10 x 1-1/2" Wood screw	Wood frame

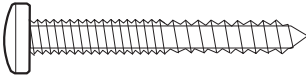
F



	#10-12 x 10-24 x 1-1/4" Combination	Metal or wood frame
---	-------------------------------------	---------------------

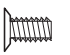
G



	#10-12 x 10-24 x 1-1/4" Combination	Variable floor surfaces
---	-------------------------------------	-------------------------

H



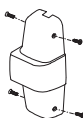
	#8-32 X 1/4"	Latch covers
---	--------------	--------------

I



	#10-12 x 10-24 x 1" Combination	Metal or wood door
---	---------------------------------	--------------------

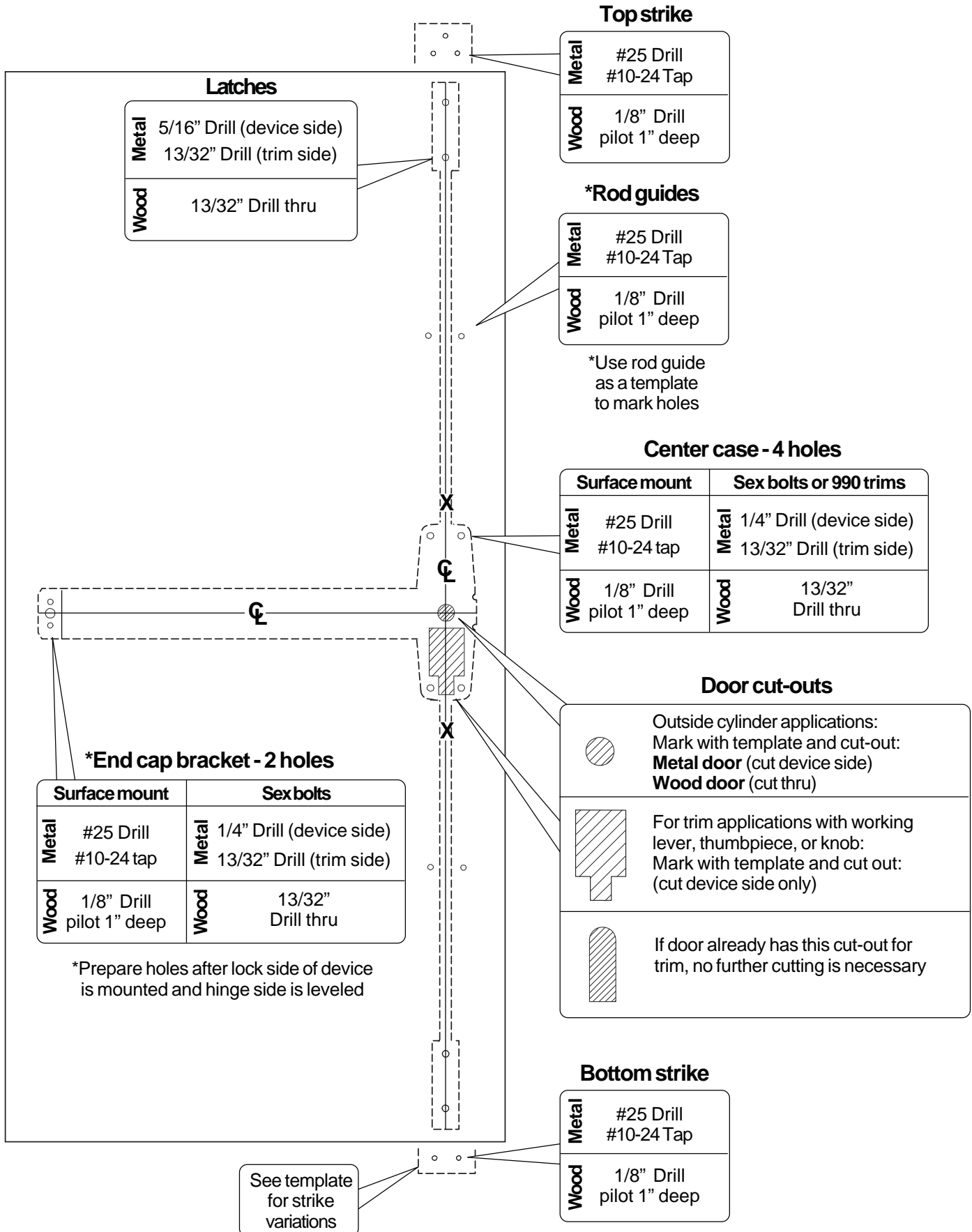
J



	#8-18 x 3/8" Thread cutting	Center case cover
---	-----------------------------	-------------------

PREPARATION CHART

Go to instructions on next page before using Preparation Chart



Top strike

Metal	#25 Drill #10-24 Tap
Wood	1/8" Drill pilot 1" deep

*Rod guides




Metal	#25 Drill #10-24 Tap
Wood	1/8" Drill pilot 1" deep

*Use rod guide as a template to mark holes

Center case - 4 holes

Surface mount		Sex bolts or 990 trims	
Metal	#25 Drill #10-24 tap	Metal	1/4" Drill (device side) 13/32" Drill (trim side)
Wood	1/8" Drill pilot 1" deep	Wood	13/32" Drill thru

Door cut-outs

- 
 Outside cylinder applications:
 Mark with template and cut-out:
Metal door (cut device side)
Wood door (cut thru)
- 
 For trim applications with working lever, thumbpiece, or knob:
 Mark with template and cut out:
 (cut device side only)
- 
 If door already has this cut-out for trim, no further cutting is necessary

*End cap bracket - 2 holes

Surface mount		Sex bolts	
Metal	#25 Drill #10-24 tap	Metal	1/4" Drill (device side) 13/32" Drill (trim side)
Wood	1/8" Drill pilot 1" deep	Wood	13/32" Drill thru

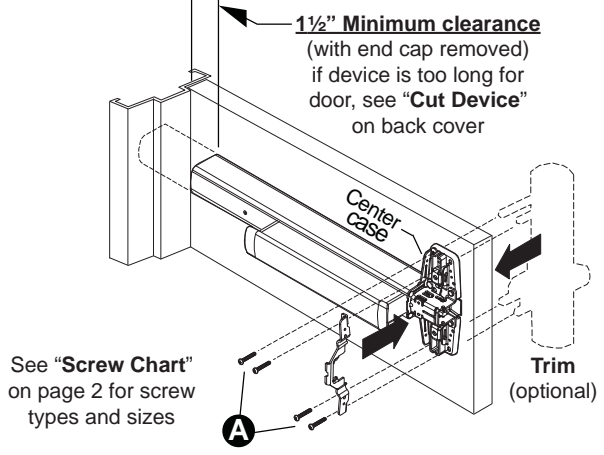
*Prepare holes after lock side of device is mounted and hinge side is leveled

Bottom strike

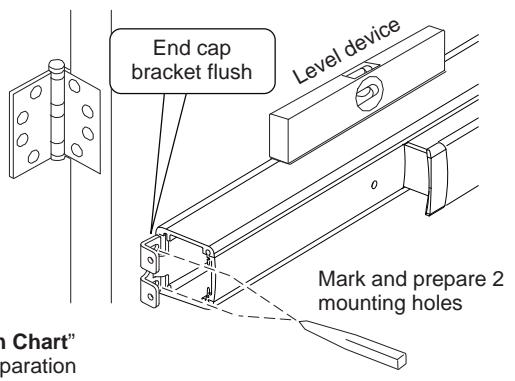
Metal	#25 Drill #10-24 Tap
Wood	1/8" Drill pilot 1" deep

See template for strike variations

6 Install Trim (if using) and Secure Device Center Case to Door

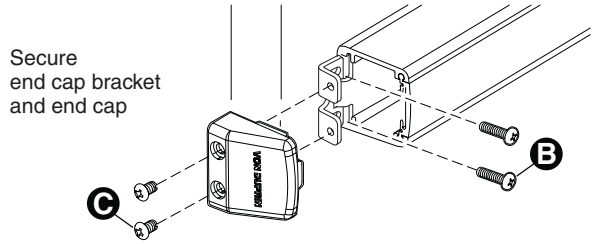


7 Mark and Prepare 2 Holes for End Cap Bracket

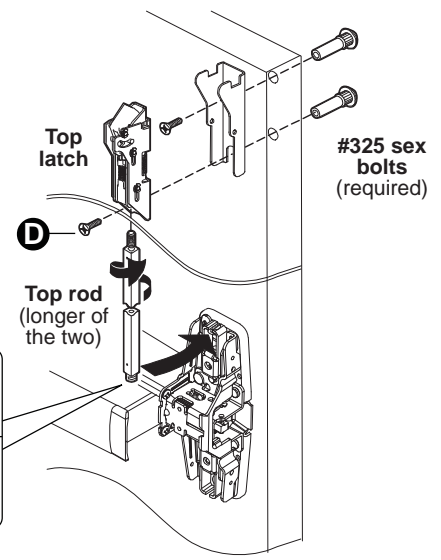


See "Preparation Chart" on page 3 for preparation information

8 Install End Cap Bracket and End Cap



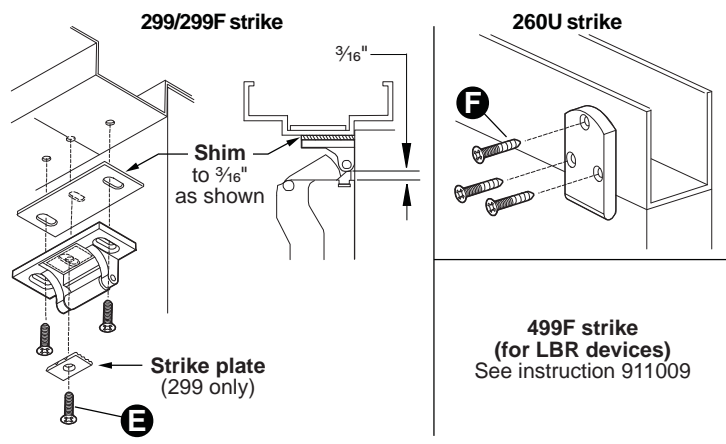
9 Install Top Latch and Rod



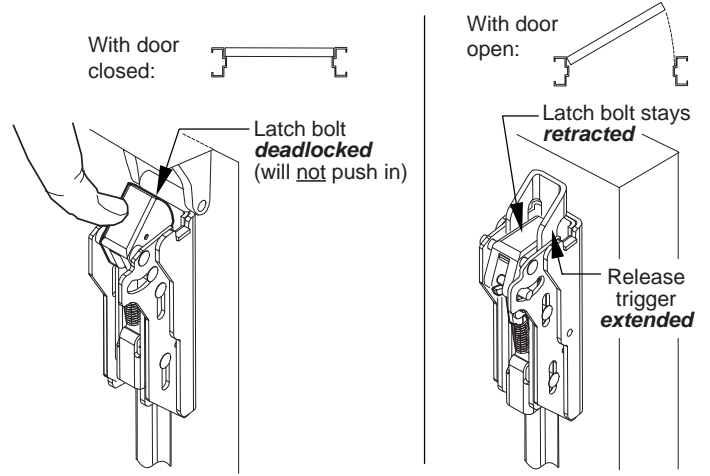
If top rod is too long, see "Cut Top Rod" on page 7

If top rod is too short, see "Install Rod Extension" on page 7

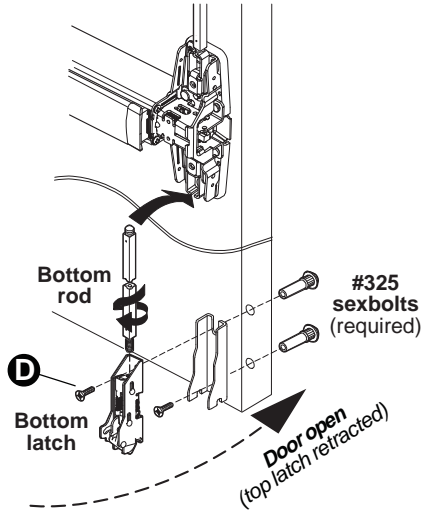
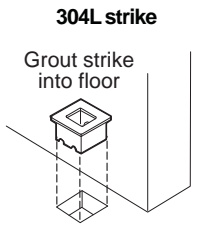
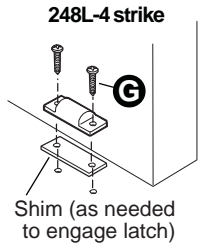
10 Install Top Strike



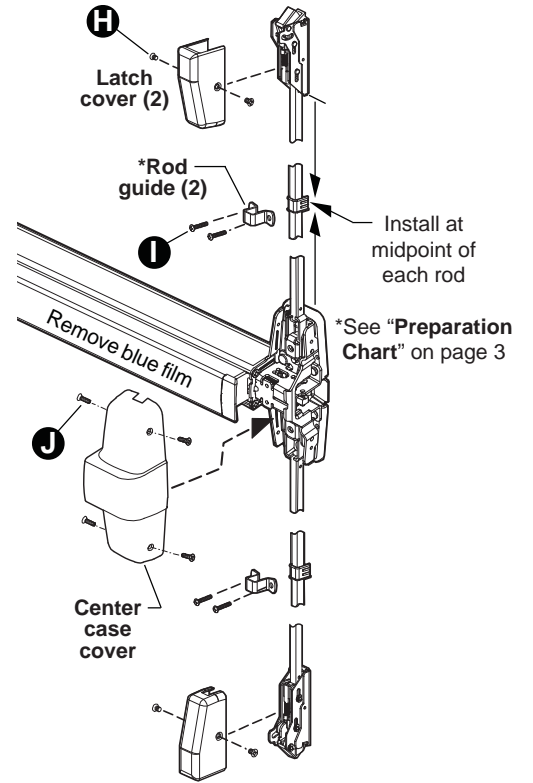
11 Adjust Top Rod (Screw Rod Into or Out of Latch) Until Adjusted as Shown



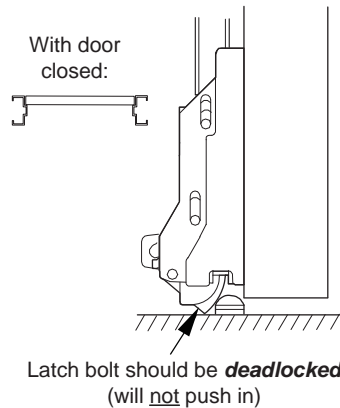
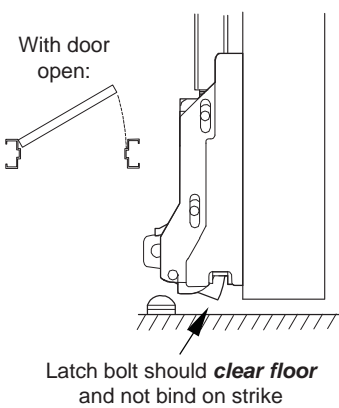
12 Install Bottom Strike, Latch, and Rod



14 Install Rod Guides and Covers



13 Adjust Bottom Rod with Door Open (Top Latch Retracted)

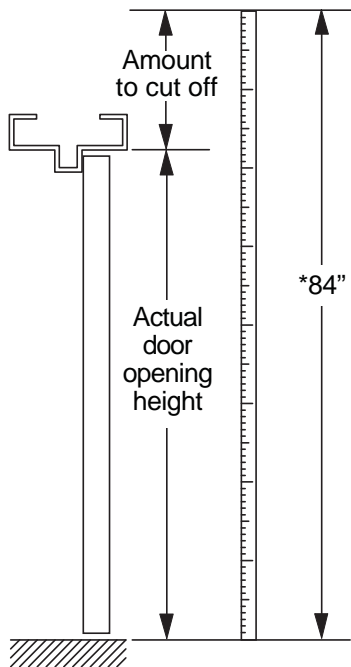


Open and close door a few times and check for deadlatching when door is closed. Readjust rods if needed.

CUT TOP ROD

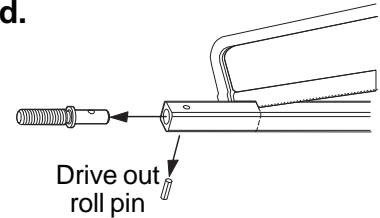
1. Measure amount to cut off rod as shown below.

Note: Rod cutting is required for doors shorter than 7'.

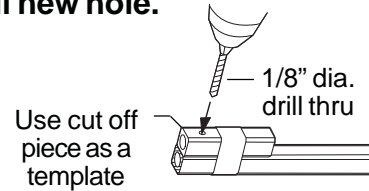


*Rods are factory sized for 7' (84") door. Measure actual door height and subtract that number from 84" to get amount to cut off top rod.

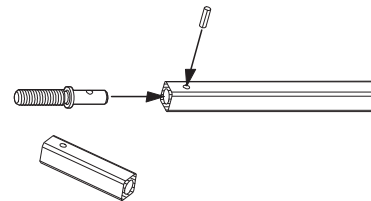
2. Cut rod.



3. Drill new hole.

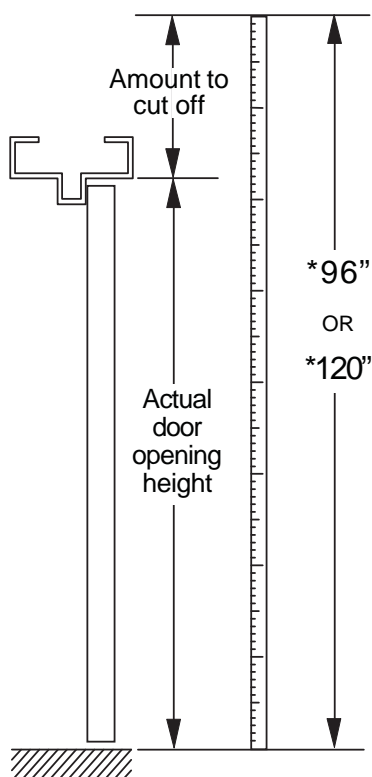


4. Reinstall rod end and roll pin.



INSTALL ROD EXTENSION

1. Measure door opening to determine amount to cut off rod extension.

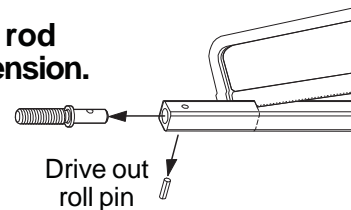


*Standard door heights:

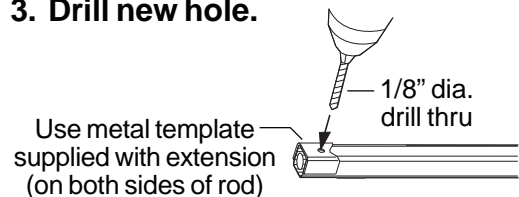
With no extension	7' (84")
With 1' extension	8' (96")
With 3' extension	10' (120")

*Rods are factory sized for door heights shown above. Measure actual door height and subtract that number from 96" (for 1' extension) or 120" (for 3' extension) to get amount to cut off extension.

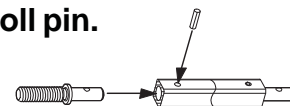
2. Cut rod extension.



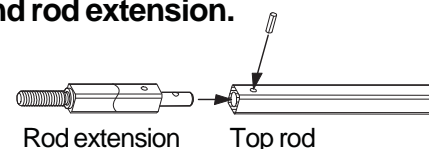
3. Drill new hole.



4. Reinstall rod end and roll pin.



5. Connect top rod and rod extension.



OPTIONAL EQUIPMENT - CONTINUED

CD (CYLINDER DOGGING)

1. Remove mortise cylinder cam and reinstall in reverse (Figure 1).
2. Insert key and rotate cam to install the cylinder to the cover plate (Figure 2).
3. Remove key to slide cover plate in position in the mechanism case.

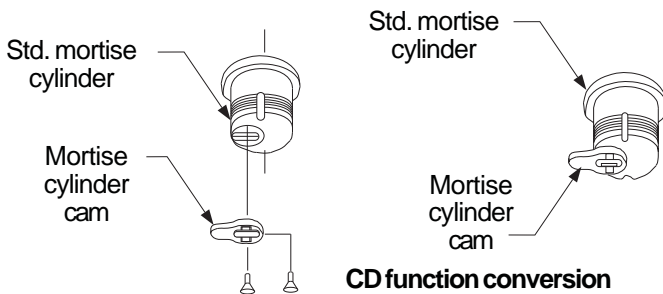


Figure 1

Dogging procedure

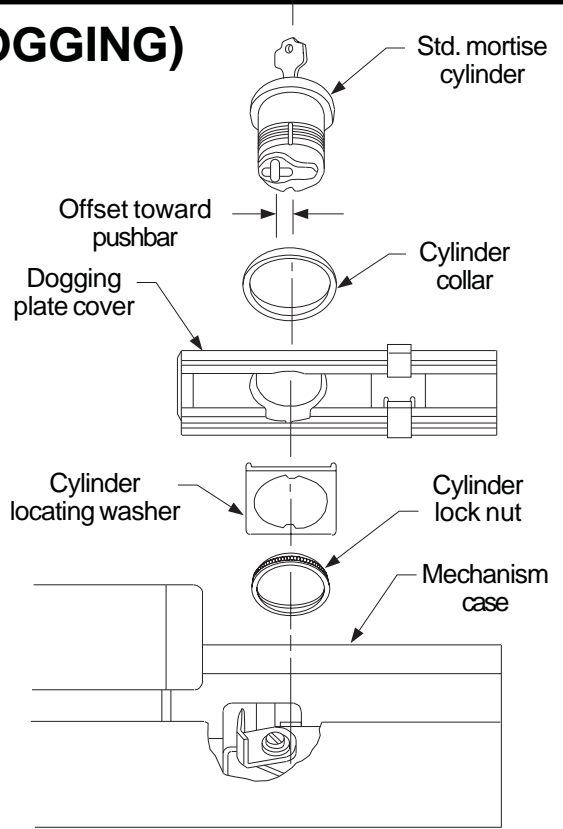
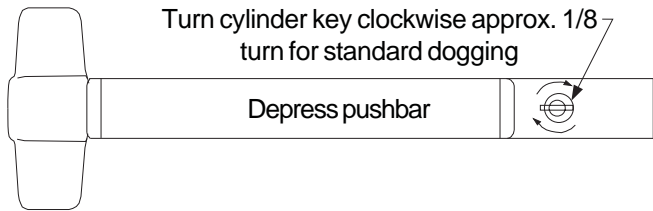
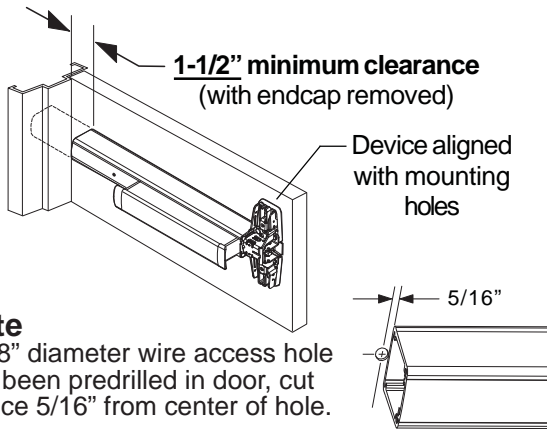


Figure 2

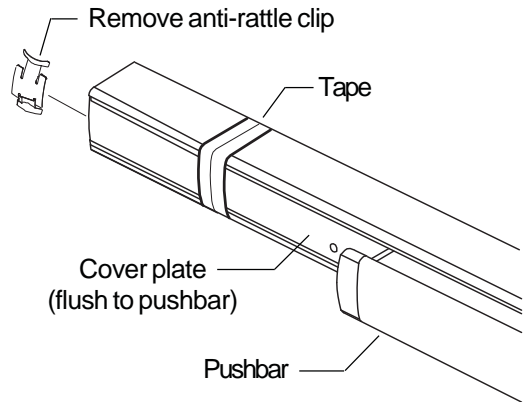
CUT DEVICE

1 Measure amount to cut off device.

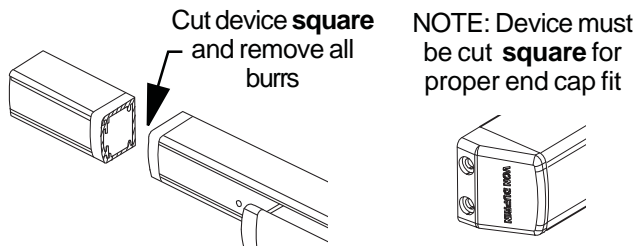


Note
If 5/8" diameter wire access hole has been predrilled in door, cut device 5/16" from center of hole.

2 Tape and mark area being cut.



3 Cut device square.



4 Slide anti-rattle clip into device.

