



911008-00

# 6000 Series

# VON DUPRIN®

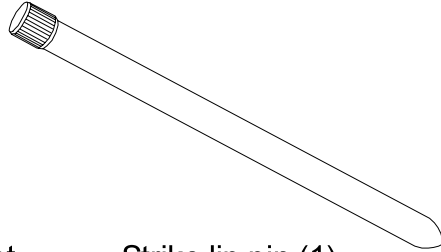
Electric Strike Spring Kit

Installation Instructions

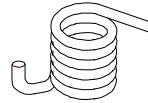
## PARTS LIST



6-32 X 1/4" Socket head cap screw (2)



Strike lip pin (1)



Torsion spring (1)



Tripper spring (1)

This kit also includes one strike lip. There are 5 different strike lips available for 6000 series strikes. Check the kit part numbers below to verify the kit you received matches your strike model.

PN	Description	Used in the following Models
050939-00	6000 Spring Kit 1 (6211/12 )	6211, 6211AL, 6211WF, 6212, 6212WF
050940-00	6000 Spring Kit 2 (6210)	6210
050941-00	6000 Spring Kit 3 (6216)	6216
050942-00	6000 Spring Kit 4	6111, 6113, 6213, 6221, 6223
050943-00	6000 Spring Kit 5	6112, 6114, 6121, 6214, 6215, 6222, 6224, 6224AL, 6225, 6226

**NOTES**

- Turn off power to strike before removal.
- Do not reuse the strike lip pin.

**Tools required:**

- Phillips screwdriver
- 5/64" hex wrench
- Flat punch (.100" - .175")
- Hammer
- Vice or heavy duty work bench

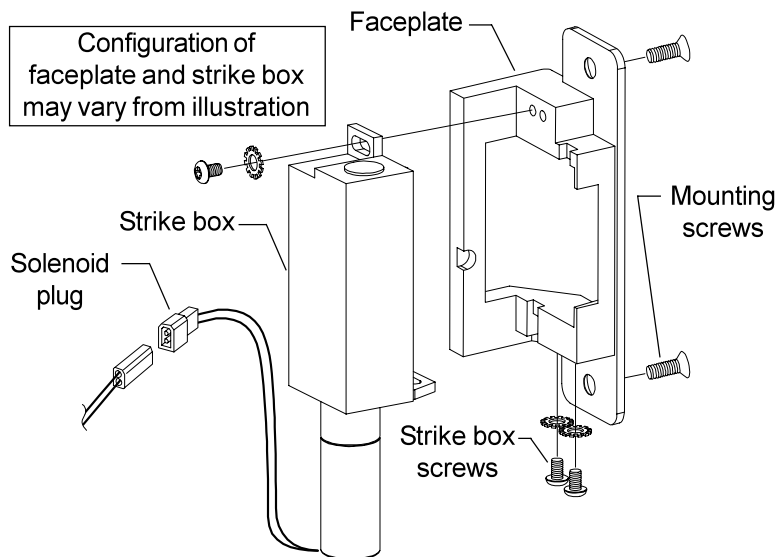


**Customer Service**  
 1-877-671-7011    www.allegion.com/us

# INSTALLATION

## 1 Remove strike and strike box. See Figure 1-1

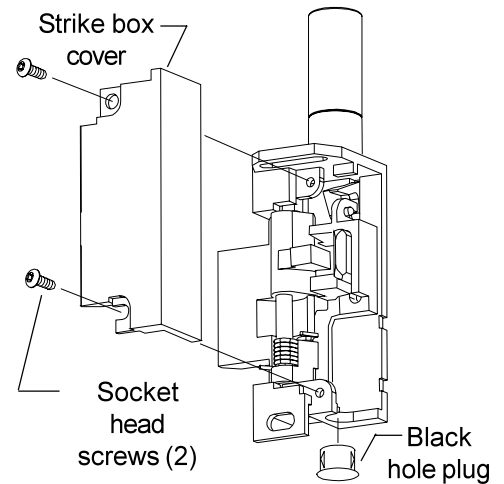
- 1.1. Remove strike mounting screws and remove strike assembly from frame.
- 1.2. Unplug solenoid.
- 1.3. Remove strike box screws using phillips screwdriver and remove strike box from faceplate.



**Figure 1-1**

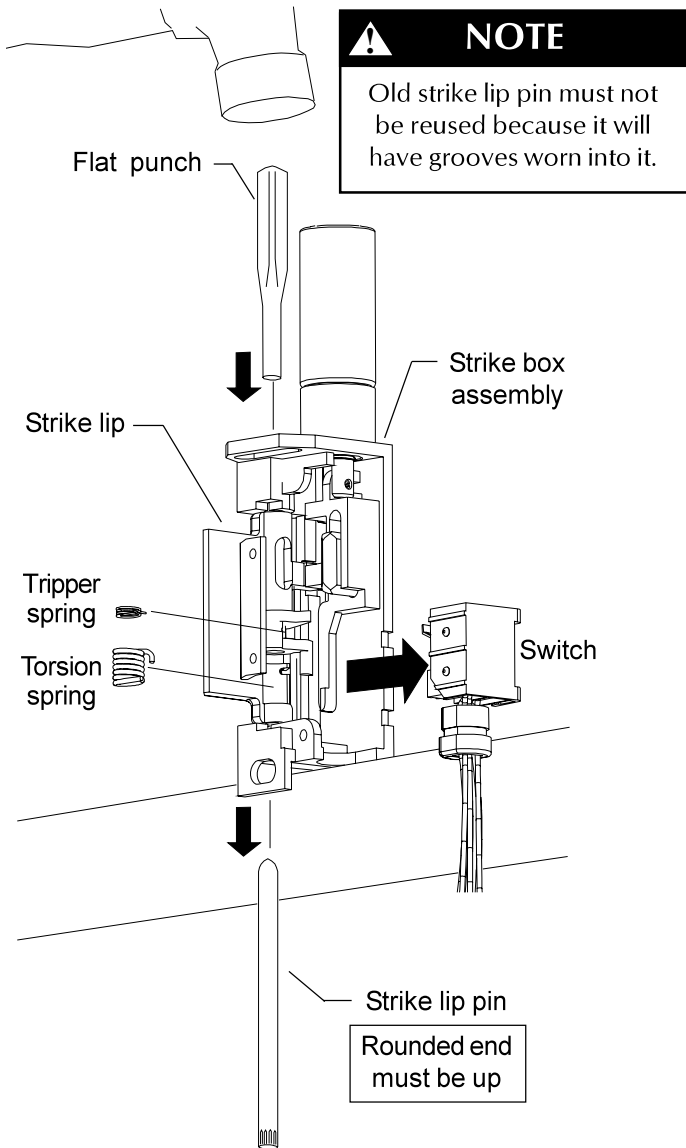
## 2 Remove strike box cover and plug. See Figure 2-1.

- 2.1. Using 5/64" hex wrench, remove two socket head screws and remove strike box cover.
- 2.2. Remove black hole plug if present.



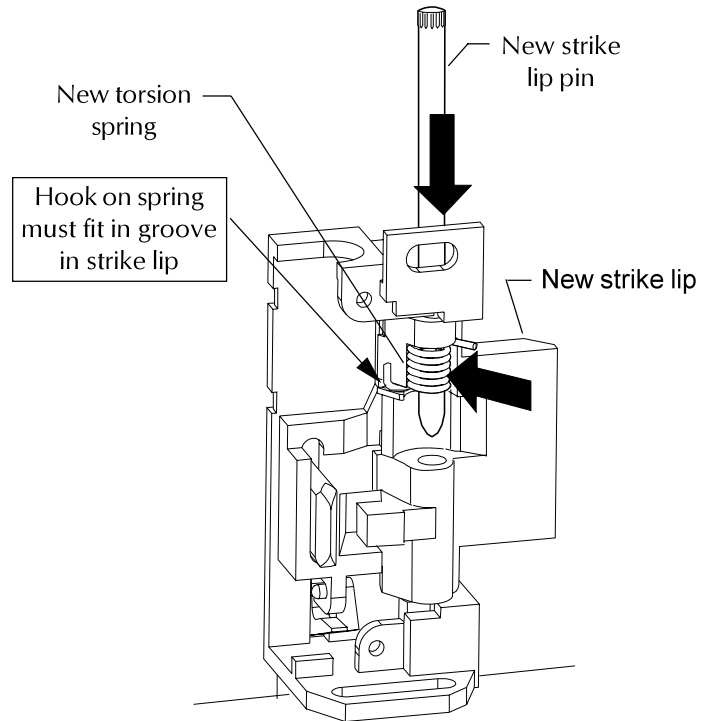
**Figure 2-1**

- 3 Remove strike lip pin, spring(s), and switch (if present).**  
See Figure 3-1.
- 3.1. Slide switch off box (if present).
  - 3.2. Observe the strike lip pin currently in strike box and find rounded end.
  - 3.3. Place strike box on vice or heavy duty work bench as shown with rounded end of pin up.
  - 3.4. Using a flat punch (.100" to .175" diameter) hammer pin out of strike box.
  - 3.5. Remove torsion spring and tripper spring (if present).
  - 3.6. Remove and discard existing strike lip.



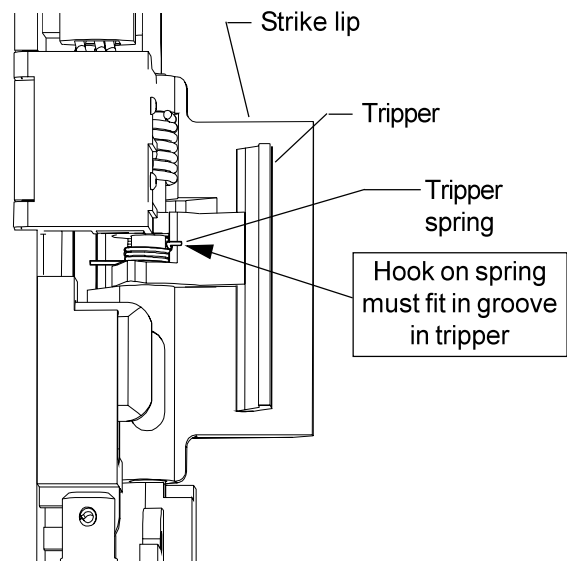
**Figure 3-1**

- 4 Install new strike lip, torsion spring, and pin.**  
See Figure 4-1.
- 4.1. Flip strike box over and align new strike lip.
  - 4.2. Align new spring in strike lip groove as shown.
  - 4.3. Slide new strike lip pin into strike box in same direction of old pin with rounded end down.



**Figure 4-1**

- 5 Install tripper spring (for DS strikes only).**  
See Figure 5-1.
- 5.1. Align hooked end of new spring in tripper groove as shown.
  - 5.2. Slide new strike lip pin through strike lip and tripper.

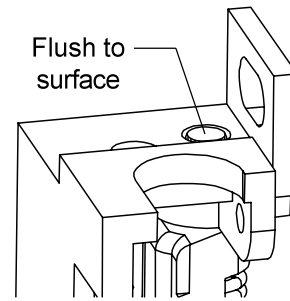


**Figure 5-1**

## 6 Secure new pin.

See Figure 6-1.

- 6.1. Using flat punch and hammer, drive pin until flush with strike box surface.
- 6.2. Verify pin is secure by pressing flat punch against rounded end of pin by hand.  
**If pin moves, remove and repeat steps 4-6 installing pin from opposite end of box.**

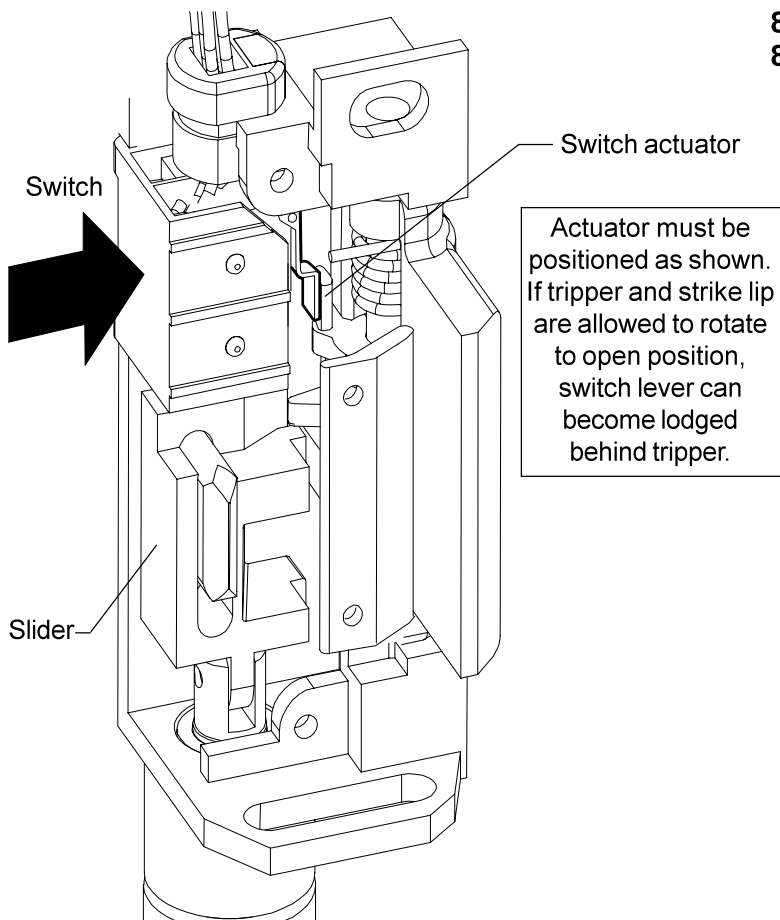


**Figure 6-1**

## 7 Reinstall switch (if present).

See Figure 7-1.

- 7.1. Rotate strike lip and tripper to closed position as shown (slider may need to slide down temporarily).
- 7.2. Slide switch back onto box.
- 7.3. Verify switch actuator is in correct position and keep strike lip in closed position.

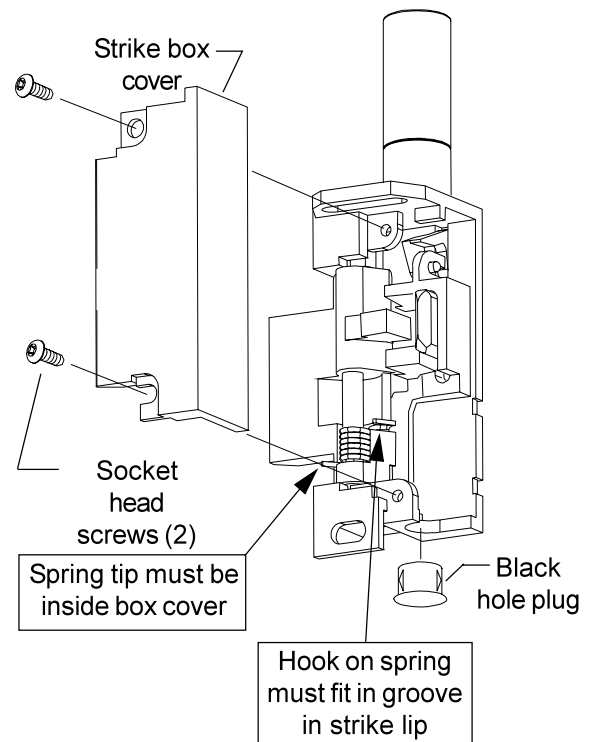


**Figure 7-1**

## 8 Reassemble strike.

See Figure 8-1.

- 8.1. Place strike box cover onto box (ensure spring tip is inside box cover).
- 8.2. Secure strike box cover with two socket head screws using 5/64" hex wrench.
- 8.3. Replace black hole plug if present.  
**Rotate strike lip by hand and verify that it opens and returns fully without binding (Fail secure strikes must be energized).**
- 8.4. Reinstall box into faceplate.
- 8.5. Plug in solenoid.
- 8.6. Reinstall strike into door frame and secure with mounting screws.  
**Refer to strike installation instructions if necessary during reinstallation.**



**Figure 8-1**